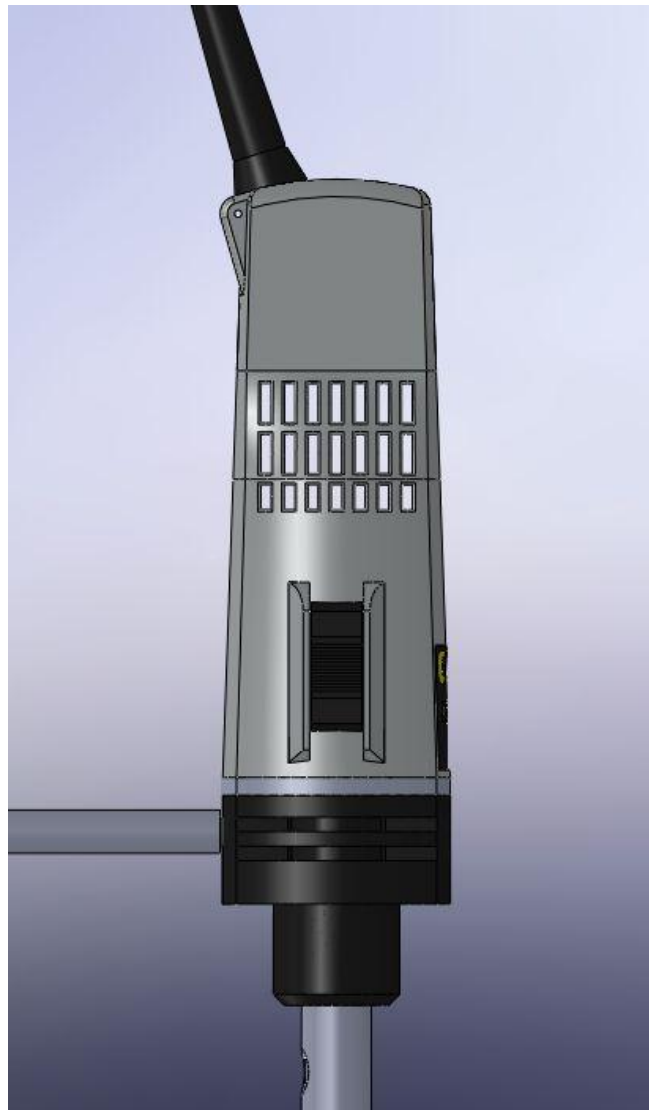


CAT

*Ingenieurbüro
M. Zipperer GmbH
Etzenbach 16
D-79219 Staufen*

Instruction Manual

Homogenising System X360



Content

1	General Information	5
2	Unpacking the Instrument	5
2.1	Scope of delivery	5
2.2	Homogenising tools and accessories (to be ordered separately):	5
3	Safety Information	7
3.1	Explanation of the safety information in the instruction manual	7
3.2	Explanation of the safety information on the device	7
3.3	General Safety Information	7
4	Set-up and Operation	8
4.1	Intended Use.....	8
4.2	Description Drive Unit X360.....	8
4.2.1	Assembly of support rod.....	9
4.2.2	Attaching the drive unit to a stand	9
4.3	Description of a homogenising tool	10
4.3.1	Inserting the homogenizing tool	10
4.4	Operation X360	11
4.4.1	Connect the unit to the mains.	11
4.5	Operation with power control unit P1500.....	12
4.5.1	Description of the power control unit P1500 for X360	12
4.5.2	Set-up of X360 with power control unit P1500	13
4.6	Exchanging the homogenizing Shafts	13
4.7	Exchanging the Generator:	13
5	Maintenance and Cleaning	14
5.1	Cleaning the drive unit X360.....	14
5.2	Cleaning the homogenising tool	14
5.3	Maintenance of drive unit X360.....	14
5.4	Maintenance homogenizing tools	14
5.5	Exchange of fuse.....	15
6	Dismantling, Transport and Storage	15
6.1	Dismantling.....	15
6.2	Transport and Storage.....	15
7	Disposal	16
8	Warranty and Liability	16
9	Technical Data.....	17

9.1	Technical Data X360	17
9.2	Technical Data P1500.....	17
10	Repairs	17
10.1	Repair Return Form.....	18
Declaration of conformity		19
1	Allgemeine Information	21
2	Auspacken des Gerätes	21
2.1	Lieferumfang und Zubehör.....	21
2.2	Dispergierwerkzeuge und Zubehör (separat zu bestellen):.....	21
3	Sicherheitshinweise	23
3.1	Erläuterung der Sicherheitshinweise in der Bedienungsanleitung.....	23
3.2	Erläuterung der Sicherheitshinweise auf dem Gerät	23
3.3	Allgemeine Sicherheitshinweise	23
4	Aufbau und Betrieb	24
4.1	Zweckbestimmung	24
4.2	Beschreibung des Antriebs X360	25
4.3	Aufbau.....	26
4.3.1	Montage der Haltestange	26
4.3.2	Befestigen des Antriebs am Stativ	26
4.4	Beschreibung eines Dispergierwerkzeugs	27
4.4.1	Anbringen des Dispergierwerkzeugs.....	27
4.5	Betrieb X360	28
4.5.1	Anschließen des Gerätes ans Stromnetz	28
4.5.2	Beschreibung der Drehzahlregelung über P1500 für X360:	29
4.5.3	Betrieb des X360 mit Leistungssteller P1500.....	30
4.6	Austausch der Dispergierwerkzeuge.....	30
4.6.1	Austausch des Generators	30
5	Reinigung und Wartung	31
5.1	Reinigung des Antriebs X360	31
5.2	Reinigen des Dispergierwerkzeugs.....	31
5.3	Wartung des Antriebs X360	31
5.4	Wartung der Dispergierwerkzeuge	32
5.5	Austausch der Sicherungen des Leistungsstellers P1500.....	32
6	Abbau, Transport und Lagerung.....	32
6.1	Abbau	32

6.2	Transport und Lagerung	33
7	Entsorgung	33
8	Garantie und Haftungsausschluss	34
9	Technische Daten	35
9.1	Technische Daten X360	35
9.2	Technische Daten P1500	35
10	Reparaturen	35
10.1	Rücksendeformular	36

1 General Information

The CAT homogeniser X360 is designed in accordance with Safety Class 1 and built and tested in accordance with DIN EN 61010.

According to these regulations the unit is designed to meet the requirements for safe and correct operations. To maintain the proper safety and operational functions of the instrument the user should follow the instructions and safety guidelines in this manual.

2 Unpacking the Instrument

Unpack the instrument carefully and check to see that it is not damaged. It is important that any damage incurred in transport to be recognized at the time of unpacking. Notify your carrier or forwarding agent immediately in case of such damage.

2.1 Scope of delivery

Please check that the package contains the following:

Type	Description	Part No.
X 360	Homogenizing Drive Unit, 230V	60401-00 or
X 360	Homogenizing Drive Unit, 115V	60401-01 or
	1 Support Rod	
	1 Instruction Manual	

2.2 Homogenising tools and accessories (to be ordered separately):

Tools	Description	Part No.
T 6	Shaft, 6 mm diameter, 55 mm long, complete with generator	60420*
T 6	Shaft, 6 mm diameter, 120 mm long, complete with generator	60410*
T 10	Shaft, 10 mm diameter complete with generator	60421*
T 17	Shaft, 10 mm diameter, complete with 17 mm generator	60426*
T 20	Shaft, 20 mm diameter complete with generator	60422*
G 20	Shaft, 20 mm diameter complete with generator	60423*
Pedestal stand incl. rod	platform overall dimensions: 330x200 mm, rod diameter: 16mm, length:690mm	60491-00
Cross over clamp	Casted alloy clamp to attach the unit to a stand	60492-00
Cross over clamp	Steel clamp to attach the unit to a stand	60492-50
Universal key	Universal rotor wrench for Shafts 6 - 30 mm	60470-00
Socket wrench	for all shafts	60471-00
Rotor wrench	for shaft T 10	60472-00

**Important Note:**

Read this instruction manual carefully before operating the instrument. Should there be any additional questions, after reading these instructions, concerning the set-up, operation or warranty, please contact either your distributor, or the manufacturer at the following address

CAT

Ingenieurbüro CAT
M. Zipperer GmbH
Etzenbach 16
D-79219 Staufen
+49-7636-7803-0

**Important Note:**

Please store the instruction manual in a place easily accessible to every user.

**Important Note:**

Make sure that the unit is to be operated under the conditions corresponding to that as described under the section titled "Technical Data"



A EURO AC plug (DIN 49441 CEE 7/VII10/ 16 A 250 V) is standard on all instruments. For North America instruments feature standard US plugs (NEMA Pub.No.WDI1961 ASA C 73.1. 1961 page 8 15A 125V).



When operating the instruments in countries with different AC plug systems use an approved adapter or have a qualified electrician replace the AC plug with an approved model suitable for the country of operation.



The instrument is earthed as supplied. When replacing the original AC plug, ensure that the earth conductor is connected to the new plug!

3 Safety Information

3.1 Explanation of the safety information in the instruction manual



This symbol emphasizes the following notices, which have to be strictly observed by the user! Disregarding of warnings may result in impairment of serviceability as well as impairment of the user.



This symbol emphasizes prohibitions, which have to be strictly observed. Any disregard of the prohibitions may result in severe impairment of serviceability as well as severe impairment of the user.



This symbol emphasizes notices, which have to be observed by the user to assure a safe operation of the unit.



CAUTION:
Hazard of fire or explosion!

3.2 Explanation of the safety information on the device



CAUTION:
This symbol indicates to read the instruction manual carefully prior to operation of the instrument. Please mark points which require special attention in your field of application so they are not overlooked. Disregarding of warnings may result in impairment of serviceability as well as impairment of the user.

3.3 General Safety Information



Attention:
Please comply with all safety and accident-prevention regulations applicable to laboratory work.



Attention:
Do not use the unit with flammable or explosive substances. The instrument is not explosion-proof.



Attention:
Only instructed users may operate the instrument.



Important Note:
Make sure that all safety information of the instrument respectively on the device itself are clearly visible during operation



Attention:
If noise level exceeds 85 dB (A) at the work station operator must use ear plug and/or ear mufflers.



Attention:
Do not open the instrument. Repairs are only to be carried out by trained service technicians.



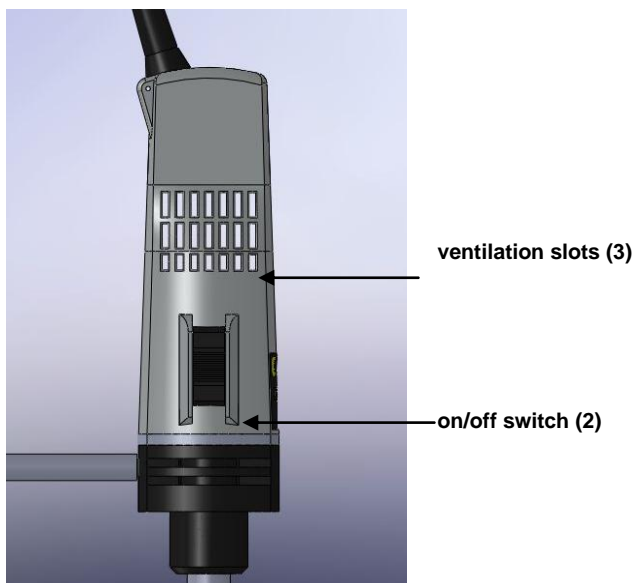
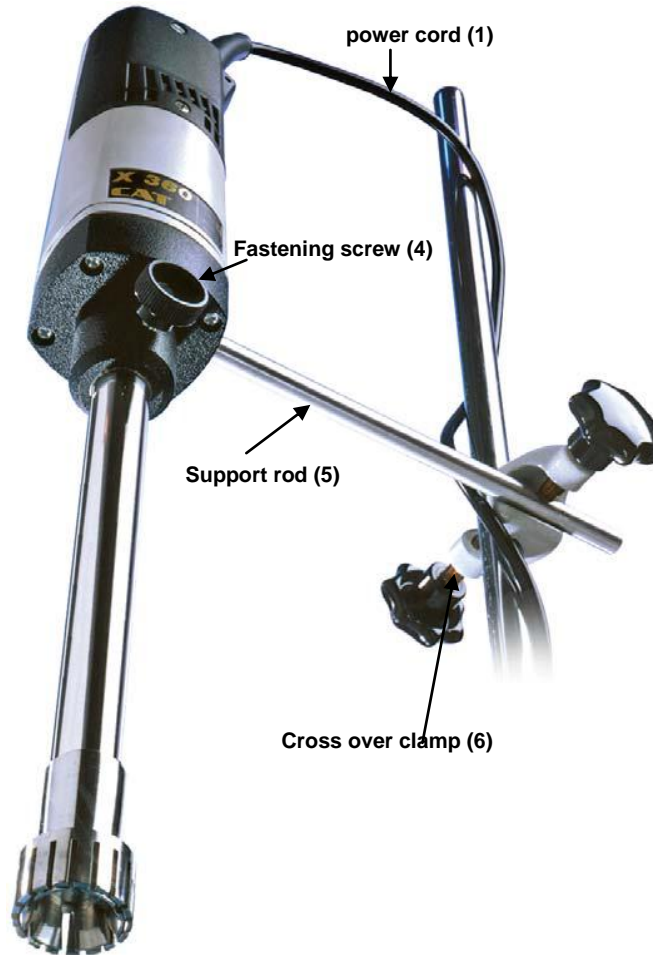
Ensure that the unit is firmly attached to a stand.

4 Set-up and Operation

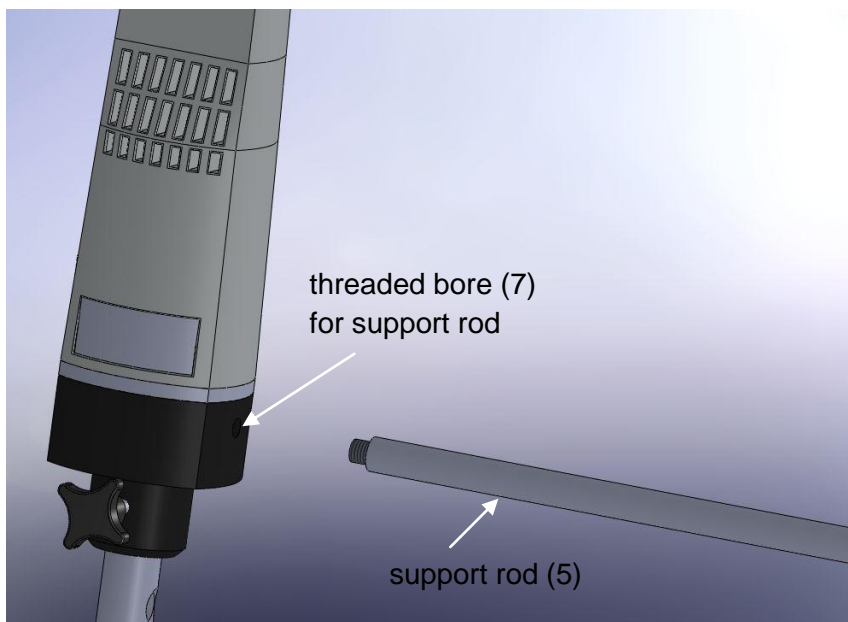
4.1 Intended Use

The X360 is a homogenizing system which in connection with a homogenizing tool produces emulsions and dispersions. For safe operation the unit has to be fixed to a stand.

4.2 Description Drive Unit X360



4.2.1 Assembly of support rod

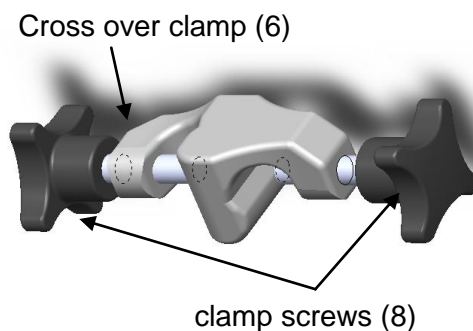


- Screw the support rod (5) into the threaded bore (7) at the back of the unit.
- Insert a screw driver into the bore at the end of the support rod (5) and firmly tighten the support rod by turning the screw driver to the right.

4.2.2 Attaching the drive unit to a stand

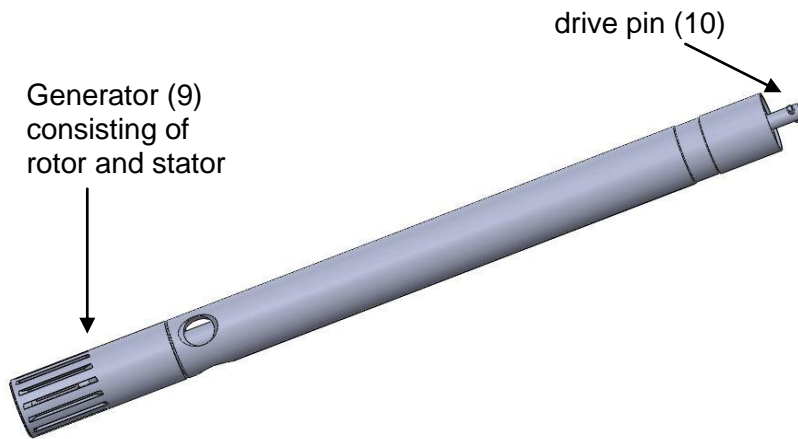


To ensure safe operation mount the drive unit to a stand using a cross over clamp (6). Vibrations may loosen the clamp screws (8). Please check periodically whether all fastening screws are securely tight.



- Attach cross over clamp (6) to a stand rod.
- Now attach the drive unit to the stand by inserting the support rod (5) into the free opening of the cross over clamp (6).
- Tighten screws (8) of the cross over clamp (6).

4.3 Description of a homogenising tool

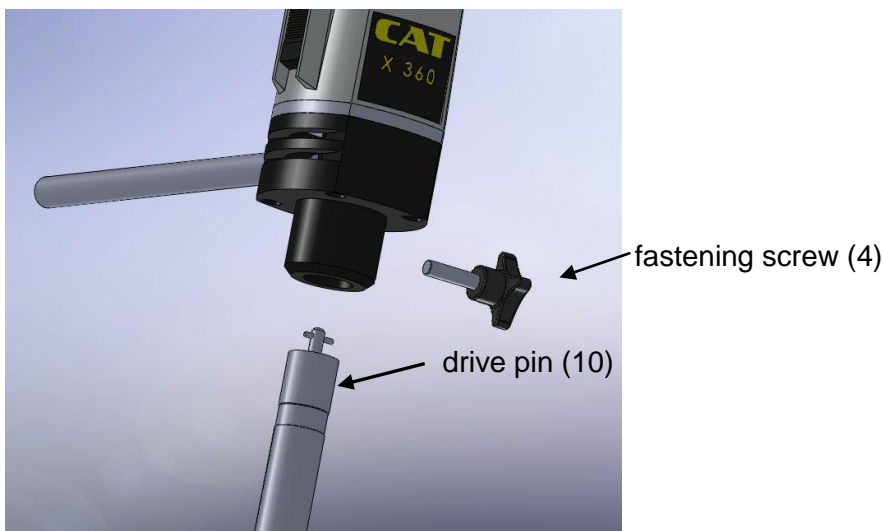


4.3.1 Inserting the homogenizing tool



The Generators (9) have sharp edges. Handle with care. Risk of injuries!

The homogenizing tool comes always assembled. The connecting adapter (drive pin (10)) is located on the top of the Shaft and is used to attach the Shaft to the drive motor. When inserting the homogenising tool, make sure that the coupling fits well. This can be easily detected by the "click" that is heard when the coupling Shaft has reached the end of the coupling slot of the motor. Securely fasten the fastening screw (4).



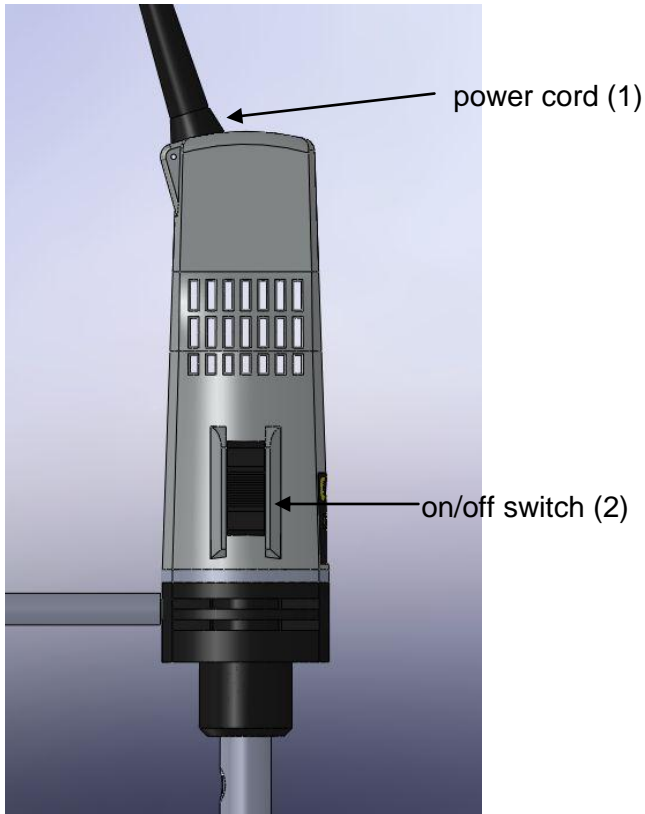
Never run homogenising tools dry as the bearings and gaskets will be damaged if the Generator is not cooled by the medium. The distance between the homogenising tool and the vessel bottom should not be less than 10mm. The filling of the medium may not be less than about 55 mm. To avoid a vortex it is necessary to insert the dispersing Shaft out of the center of the vessel. If these conditions are met the unit is ready for operation.

4.4 Operation X360



Attention:

When connecting the instrument to an AC power outlet, ensure that your local supply voltage matches that indicated on the instrument's rating plate.



4.4.1 Connect the unit to the mains.

The drive unit is turned on and off by means of the on/off switch (2) at the front of the motor housing.

position I: motor runs

position 0: motor off



Caution:

The on/off switch (2) is only single-pole and is thus not suitable for safely isolating the unit from the mains supply!




Before starting the unit make sure that

- the Generator (9) of the homogenising tool is inserted in the fluid. To avoid a vortex it is necessary to insert the dispersing Shaft out of the centre of the vessel.
- the vessel is protected against rotating, shaking or moving
- make sure that the air ventilation slots (3) are always open, as this is necessary for cooling purposes

4.5 Operation with power control unit P1500

4.5.1 Description of the power control unit P1500 for X360

The power control unit is used for continuous speed control of the X360.

 The below stated speed rates are only approximate values.



Approximate Speed Rates

Pos.	1	2	3	4	5	6	7	8	9	10
rpm	10800	13500	18000	21500	25800	30500	32800	36500	40000	42500

4.5.2 Set-up of X360 with power control unit P1500

Plug the power cable of X360 (81) into the socket (13) of the power control unit P1500

Now plug in the power cable (12) of the P1500 into a power source.

Switch on the X360

Start the unit by switching the potentiometer (14) to position "1"

The power control unit P1500 is now operating

With the potentiometer (14) the voltage can be controlled.

Always start with the lowest speed (Position "1") and then increase until the desired speed setting has been reached.

4.6 Exchanging the homogenizing Shafts

- Prior to exchange the homogenizing shaft disconnect the unit from the mains supply by unplugging the unit.
- Loosen the fastening screw (4) and firmly pull out the Shaft by hand. It will disconnect easily.
- When inserting another Shaft, make sure that the coupling fits well. This can be easily detected by the "click" that is heard when the coupling Shaft has reached the end of the coupling slot of the motor.
- Securely fasten the fastening screw (4).

4.7 Exchanging the Generator:



The Generators have sharp edges. Handle with care. Risk of injuries!

To exchange the Generator (rotor and stator), always take the Shaft out of the motor drive unit as described under 4.6.

For undoing the rotor, use the two special keys (to be ordered separately). The socket wrench is used to counter-hold the Shaft, and the rotor wrench to undo the rotor.

To exchange the stator, remember that the fastening thread is **counter-clockwise**.

You will find further detailed descriptions in the instruction manual which comes with each homogenising tool.



Important Note

Always unscrew the rotor first before unscrewing the stator.

5 Maintenance and Cleaning

5.1 Cleaning the drive unit X360

To clean the drive unit use only water with a detergent that contains tensides or use isopropyl alcohol for stubborn soiling.

5.2 Cleaning the homogenising tool



The Generators (9) have sharp edges. Handle with care. Risk of injuries!

To avoid clogging of the shaft, clean shaft, generator and in case of G-shaft the sealing parts after each use. This is done by operating it in a solvent which dissolves substance residues and is not harmful to the gasket. This is usually sufficient to clean the Generator.

Chemical sterilization may be also a method. General-purpose disinfectants such as formalin, alcohol, etc. may be used. It is important to remove disinfectant residues with sterilized water.



Important Note:

Make sure that the bearings, O-rings and gaskets are resistant to solvents.

Sterilization with moist heat:

This denotes the use of a steam jet pressurized to 2 bars at 120°C.

5.3 Maintenance of drive unit X360



Attention:

Do not open the instrument. Repairs are only to be carried out by trained service technicians.

5.4 Maintenance homogenizing tools



The Generators have sharp edges. Handle with care. Risk of injuries!

The gaskets in the homogenizing tools must be constantly monitored. In the event of leakage the suction effect of the rotating Shaft can cause the medium to penetrate as far as the drive unit. If liquid emerges from the side hole at the top of the Shaft tube stop work immediately and check the gaskets. The function of the Generators depends on the condition of the sharp edges on the rotor and stator. These edges may be blunted very quickly in abrasive media, reducing the effectiveness of homogenizing.

5.5 Exchange of fuse

- Unplug power cord (11)
- Unplug power cord (2) of X360 from socket (13) of P1500
- Open fuse (12) holder with a coin or screwdriver
- Replace fuse



Only replace fuses which are equivalent to the original fuse.

6 Dismantling, Transport and Storage

6.1 Dismantling

1. Switch the unit off.
2. Disconnect it from the mains supply.
3. Remove any glass beakers and any other equipment around the drive unit.
4. Remove the homogenizing tool by loosening the fastening screw (4).
5. Loosen the special clamp and remove the clamp from the support rod.
6. Unscrew the support rod.
7. Now you may remove the instrument from the working area.

6.2 Transport and Storage

Prior to transport:

Switch the instrument off and proceed with dismantling as described under “Dismantling”.

Place the instrument and its parts in its original packaging or another suitable container to protect it during transport. Close the packaging with adhesive tape.

Store the instrument in a dry environment. Please observe the specified conditions of the ambient (temperature and humidity).

Do not subject the instrument to mechanical shocks or vibration during transporting it.

In case you do not use the original packaging please mark the box with the following notes:

- Glass symbol (handle with care, fragile)
- Umbrella (keep dry)
- Content (list of content)
- Storage ambient:
 - Max. ambient temperature : RT to +40°C
 - Max. humidity: 80%

7 Disposal



Please dispose of used instruments and defective components at your local recycling collection point. Prior to disposal, sort according to materials: Metal, glass, plastic, etc. Also be sure to dispose of the packing material in an environmental-friendly manner.

8 Warranty and Liability

The manufacturer agrees to either repair, or replace, at the manufacturer's discretion, any defects in materials or workmanship which develop within 24 months of the delivery of this product to the original user. In the event of replacement, the replacement unit will be guaranteed for the remainder of the original twenty-four (24) months period or ninety (90) days, whichever is longer.

If this product should require service, contact your local distributor or manufacturer for necessary instructions.

This guarantee will not apply if the defect or malfunction was caused by accident, neglect, unreasonable use or fitness for a particular purpose, which extend beyond the description and period set forth herein.

The manufacturer's sole obligation under this guarantee is limited to the repair or replacement of a defective product and the manufacturer shall not, in any event, be liable for any incidental or consequential damages of any kind, resulting from use or possession of the product.

Attention:

The user has to determine, if the instrument is suitable for his specific application. If there are any further queries, contact your local dealer or the manufacturer direct.

9 Technical Data

9.1 Technical Data X360

Type: X360	Specifications
Motor Power intake	350 Watt
Idle speed	Fixed 45000 rpm
With P1500	10.800 – 42500 rpm
Voltage	230V/50 Hz or 110V/60 Hz
Case dimensions	290x63x62 mm, LxWxD
Weight	1.3 kg

9.2 Technical Data P1500

Type: P1500	Specifications
Power Supply	230 V AC 50/60 Hz, 1500 W
Output	25 – 228 V AC stepless and loss-free
Electronics	Phase-angle control
Connection	Cable, 120 cm long with grounded plug
Load	Earthed socket (Schuko)
Case dimensions	150x80x55 mm, LxWxH
Weight	0.5 kg
Fuse	6.3A, FF 250V, 5x20mm
X360 and P1500	
Permissible ambient temperature	5 - 40 °C
Permissible humidity	80 % RH

10 Repairs



When returning instruments for repair that have come into contact with hazardous substances, please:

Fill in attached "Repair Return Form"

Provide precise information on the relevant medium

Take protective measures to ensure the safety of our receiving and maintenance personnel

Mark the package as appropriate for hazardous materials.

10.1 Repair Return Form

CONTACT/USER INFORMATION

Contact:	Phone No.
Fax No.	Email:
Billing:	Shipping:
Company	Company
Address	Address

INSTRUMENT INFORMATION

Model	Serial No.	
Please describe all problems/malfunctions		
Operating Conditions (please fill in if applicable)		
Ambient Temp.	Humidity	Speed
Load	Volume	Viscosity
Temperature in °C	Sample Temperature	Operating Time
Sample Description*		

*NOTE: If the instrument was exposed to hazardous material, it must be decontaminated BEFORE returning it to CAT and an MSDS for hazardous material must be included with the instrument.

RETURN SHIPPING

UPS <input type="checkbox"/>	Air Parcel Post <input type="checkbox"/>	Collect** <input type="checkbox"/>	Other** <input type="checkbox"/>
------------------------------	--	------------------------------------	----------------------------------

**Your account number is required for UPS collect respectively the address and contact of your preferred forwarder if you choose any other transport means.

PACKAGING INSTRUCTIONS TO RETURN A CAT INSTRUMENT FOR REPAIR

- ✓ Remove all accessories (e.g. homogniser tools, stirring paddles) from the instrument
- ✓ Clean excess testing material off the instrument/accessory
- ✓ Include MSDS sheets for all hazardous materials used with this instrument
- ✓ Pack the instrument in its original box. If the box is not available, take care to wrap the instrument and accessories with enough material to support them.
- ✓ DO NOT send pedestal stand unless there is a problem with the upright rod, clamp or base. If there is a problem with the stand remove the upright rod from the base and individually wrap each item to avoid contact with the instrument. (Applicable for overhead stirrers and homogenisers.)
- ✓ Pack the instrument and related items in a strong box for shipping. Mark the outside of the box with handling instructions.

Example: "Handle with care" or "Fragile- Delicate Instrument"



Ingenieurbüro
M. Zipperer GmbH

Etzenbach 16,D-79219 Staufen
Tel.: +49 (0) 7636 78030
Fax: +49 (0) 7636 780345
E-Mail: info@cat-ing.de
Internet: <http://www.cat-ing.de>

CE Declaration of conformity

We declare under our sole responsibility that this product (see label) corresponds to the regulations and conforms to the standards or standardized documents

2006/95/EC

DIN EN 61010-1; VDE 0411-1:2002-08;Amendment 1; VDE 0411-1 Amendment 1:2002-11; Amendment 2; VDE 0411-1 Amendment 2:2004-01
DIN EN 61010-2-051; VDE 0411-2-051:2004-07

2004/108/EC

DIN EN 61326-1; VDE 0843-20-1:2006-10
DIN EN 61000-6-2; VDE 0839-6-2:2006-03
DIN EN 61000-6-4; VDE 0839-6-4:2007-09
DIN EN 61000-4-2; VDE 0847-4-2:2009-12
DIN EN 61000-4-3; VDE 0847-4-3:2008-06
DIN EN 61000-4-4; VDE 0847-4-4:2005-07
DIN EN 61000-4-5; VDE 0847-4-5:2007-06
DIN EN 61000-4-6; VDE 0847-4-6:2009-12
DIN EN 55011; VDE 0875-11:2010-05
DIN EN 55014-1; VDE 0875-14-1:2010-02
DIN EN 55014-2; VDE 0875-14-2:2009-06

2006/42/EC, 93/68/EEC

DIN EN ISO 12100-1:2004-04
DIN EN ISO 12100-2:2004-04

In the case of a modification of the unit which has not been agreed on with us, this declaration becomes null and void and the warranty expires.

**Ingenieurbüro CAT
M. Zipperer GmbH**

Type
X360, 230V +/- 10%, 50/60Hz, 350W
X360, 115V +/- 10%, 50/60Hz, 350W

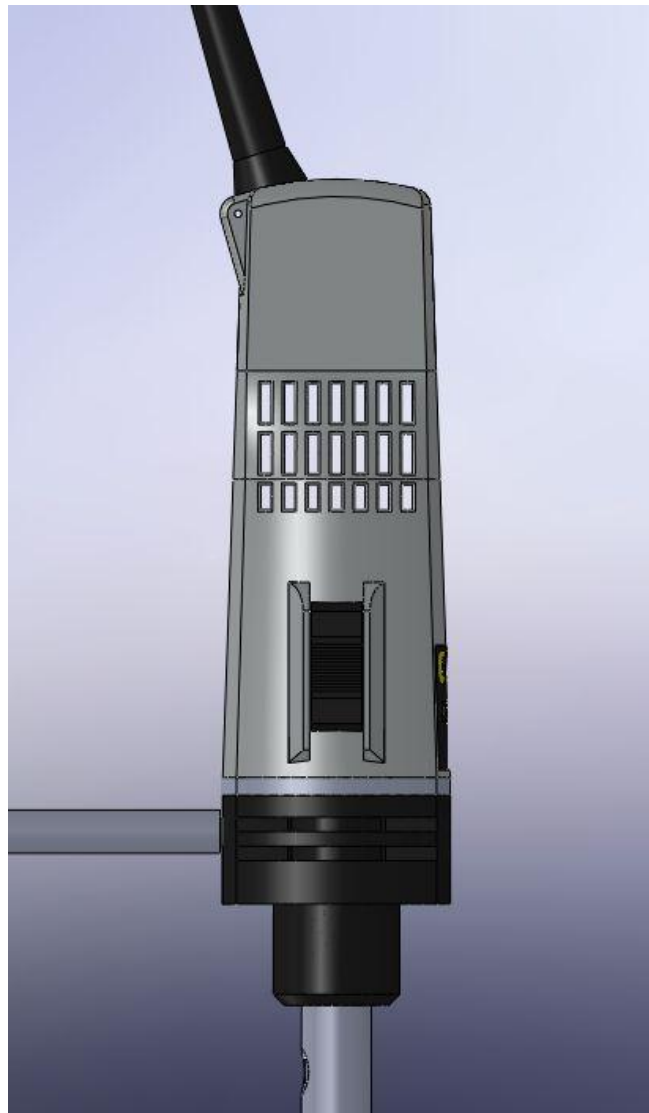
**Manfred Zipperer
Geschäftsführer
79219 Staufen, den 26. April 2011**

CAT

*Ingenieurbüro
M. Zipperer GmbH
Etzenbach 16
D-79219 Staufen*

Bedienungsanleitung

Dispergiersystem X360



1 Allgemeine Information

Das CAT Dispergiergerät X360 wurde gem. DIN EN 61010 gefertigt und geprüft. Das Gerät hat das Werk in sicherheitstechnisch einwandfreiem Zustand verlassen. Um diesen Zustand zu erhalten und einen gefahrlosen Betrieb sicherzustellen, muss der Anwender die Hinweise und Warnvermerke beachten, die in dieser Bedienungsanleitung enthalten sind.

2 Auspacken des Gerätes

Untersuchen Sie den Umkarton. Achten Sie auf Beschädigungen wie z.B. eingedrückte Wände chemische Beeinträchtigungen des Kartons, Wassermarken, oder andere physikalische Einflüsse, die den Inhalt beschädigt haben könnten. Bei Beschädigungen informieren Sie bitte sofort den Spediteur und fragen Sie nach den notwendigen Maßnahmen. Wenn es keine sichtbaren Beschädigungen des Umkartons gibt, dann öffnen Sie diesen vorsichtig.

2.1 Lieferumfang und Zubehör

Eine vollständige Sendung hat folgenden Umfang:

Typ	Beschreibung	Art.Nr.
X 360	Dispergierantrieb, 230V	60401-00 oder
X 360	Dispergierantrieb, 115V	60401-01 oder
	1 Haltestange	
	1 Bedienungsanleitung	

2.2 Dispergierwerkzeuge und Zubehör (separat zu bestellen):

Werkzeuge	Beschreibung	Art Nr.
T 6	Schaft, 6 mm Durchmesser, 55 mm lang, komplett mit Generator	60420*
T 6	Schaft, 6 mm Durchmesser, 120 mm lang, komplett mit Generator	60410*
T 10	Schaft, 10 mm Durchmesser komplett mit Generator	60421*
T 17	Schaft, 10 mm Durchmesser, komplett mit 17 mm Generator	60426*
T 20	Schaft, 20 mm Durchmesser komplett mit Generator	60422*
G 20	Schaft, 20 mm Durchmesser komplett mit Generator	60423*
Plattenstativ inkl. Stab	Plattformabmessung: 330x200 mm, Stab-Durchmesser: 16mm, Länge:690mm	60491-00
Kreuzklemme	Halteklammer zur Befestigung am Stativ Material: Aluminiumguss	60492-00
Kreuzklemme	Halteklammer zur Befestigung am Stativ Material: Stahl	60492-50
Universal-Schlüssel	Universal-Rotor-Schlüssel für 6 - 30 mm	60470-00
Steckschlüssel	für alle Schäfte	60471-00
Rotorschlüssel	für Schaft T 10	60472-00

**Wichtiger Hinweis:**

Bitte lesen Sie die Bedienungsanleitung gründlich durch und stellen Sie sicher, dass Sie alles verstanden haben, bevor Sie das Gerät in Betrieb nehmen. Sollten Sie nach dem Durchlesen der Bedienungsanleitung noch weitere Fragen zu Installation, Betrieb oder Wartung haben, wenden Sie sich bitte an den Lieferanten oder den Hersteller des Gerätes unter folgender Adresse:

CAT

**Ingenieurbüro CAT
M. Zipperer GmbH
Etzenbach 16
D-79219 Staufen
+49-7636-7803-0**

**Wichtiger Hinweis:**

Diese Bedienungsanleitung sollte jederzeit zur Verfügung stehen, insbesondere demjenigen, der dieses Gerät nutzen möchte. Deshalb sollte diese Bedienungsanleitung in der Nähe des Gerätes aufbewahrt werden.

**Wichtiger Hinweis:**

Stellen Sie sicher, dass das Gerät nur gemäß den zulässigen Bedingungen beschrieben unter dem Punkt "Technische Daten" betrieben wird.



Die Geräte sind standardmäßig mit einem EURO-Stecker (DIN 49441 CEE 7/III10/ 16 A 250 V) versehen. Für Nordamerika mit einem US-Norm Stecker (NEMA Pub.No.WD11961 ASA C 73.1. 1961 page 8 15A 125V).



Falls Sie das Gerät in einem Land mit anderem Stecker-System betreiben möchten, müssen Sie einen zugelassenen Adapter verwenden oder der mitgelieferte Stecker muss durch einen Fachmann ausgewechselt und durch einen für dieses Netz passenden und zugelassenen Stecker ersetzt werden.



Bei Lieferung ist das Gerät geerdet. Beim Auswechseln des Originalsteckers achten Sie bitte unbedingt darauf, dass Schutzleiter am neuen Stecker angeschlossen wird!

3 Sicherheitshinweise

3.1 Erläuterung der Sicherheitshinweise in der Bedienungsanleitung



Dieses Symbol hebt folgende Hinweise hervor, welche durch den Anwender unbedingt beachtet werden müssen! Jegliche Missachtung der nebenstehenden Hinweise, kann die sichere Funktion wie die Sicherheit des Anwenders selbst beeinträchtigen.



Dieses Symbol hebt Verbote hervor, welche durch den Anwender unbedingt beachtet werden müssen! Jegliche Missachtung der nebenstehenden Verbote, kann die Funktionstüchtigkeit, sowie die Sicherheit des Anwenders erheblich beeinträchtigen.



Dieses Symbol hebt Hinweise hervor, welche durch den Anwender unbedingt beachtet werden sollten um einen sicheren Betrieb des Gerätes gewährleisten zu können.



Achtung
Brand- oder Explosionsgefahr!

3.2 Erläuterung der Sicherheitshinweise auf dem Gerät



Warnung vor allg. Gefahren: Dieses Symbol weist darauf hin, dass die Betriebsanleitung unbedingt vor Inbetriebnahme des Gerätes vollständig gelesen und verstanden werden sollte. Eine unsachgemäße Handhabung kann den sicheren Betrieb des Gerätes und die Gesundheit des Anwenders gefährden.

3.3 Allgemeine Sicherheitshinweise



Achtung:
Beachten Sie alle im Labor geltenden Sicherheits- und Unfallverhütungsvorschriften!



Achtung:
Verwenden Sie dieses Gerät nicht in unsicherer Umgebung und speziell nicht in explosionsgefährdender Umgebung. Lebensgefahr!



Achtung:
Ausschließlich unterwiesene Anwender dürfen das Gerät in Betrieb nehmen.



Achtung:
Achten Sie vor der Verbindung des Gerätes mit dem Stromnetz darauf, dass die Netzspannung mit den Angaben auf dem Typenschild übereinstimmt.



Achtung:
Äußerste Vorsicht beim Umgang mit leicht entzündlichen Medien. Beachten Sie die Sicherheitsdatenblätter. Das Gerät ist nicht explosionsgeschützt!



Der Hauptschalter trennt das Gerät nicht vollständig von der Stromquelle. Um das Gerät vollständig vom Netz/der Stromversorgung zu trennen, ziehen Sie bitte den Netzstecker.

**Hinweis:**

Stellen Sie sicher, dass alle Sicherheitshinweise des Gerätes bzw. auf dem Gerät selbst, während des Betriebs deutlich zu sehen sind.

**Achtung:**

Öffnen Sie das Gerät nicht. Reparaturen sind eingewiesenen Service-Technikern vorbehalten.



Bitte schließen Sie das Gerät nur an eine geerdete Steckdose an.



Bitte achten Sie auf sichere Befestigung des Gerätes.

**Attention:**

Wird der Lautstärkenpegel von 85 dB (A) überschritten, muss der Anwender Ohrschützer verwenden.



Stellen Sie sicher, dass das Gerät an einem Stativ befestigt ist!

4 Aufbau und Betrieb

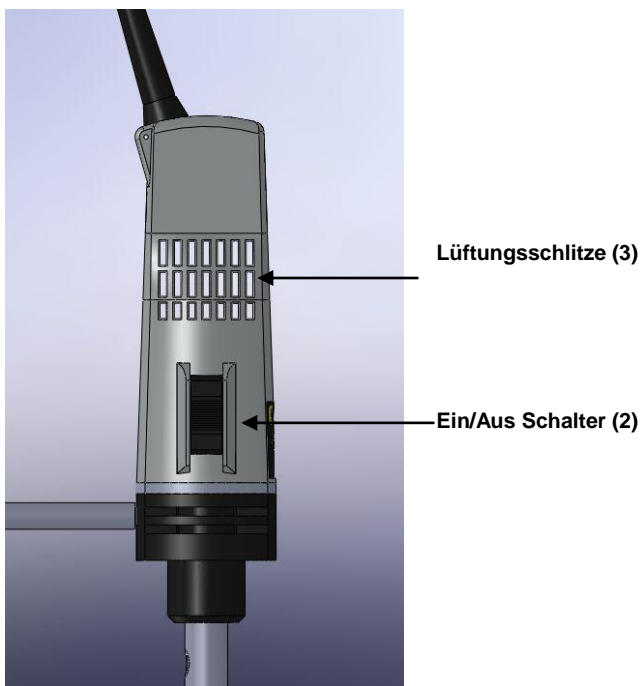
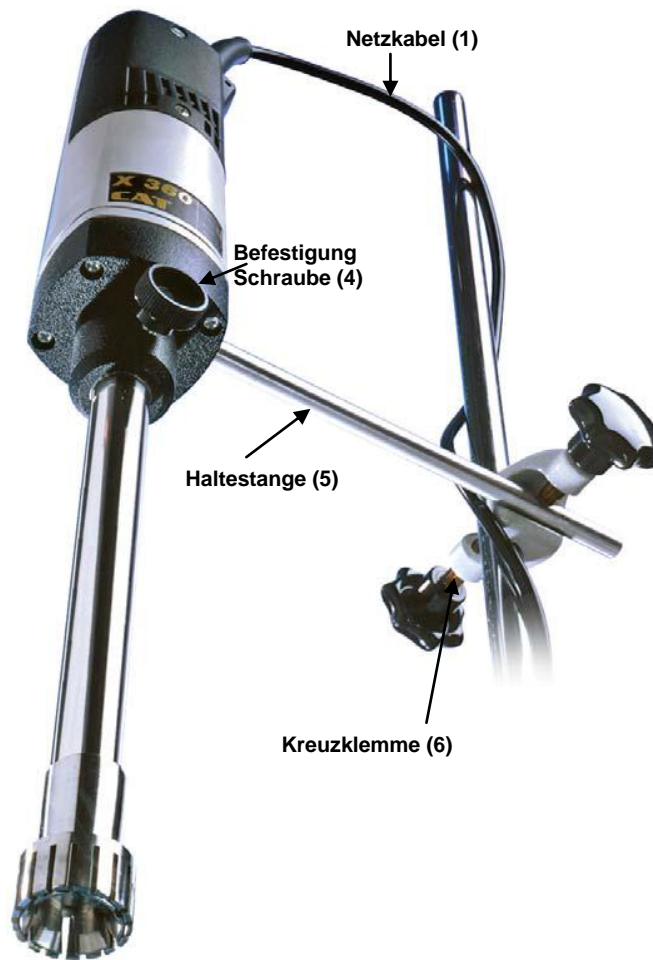
4.1 Zweckbestimmung

Der Dispergierantrieb X360 und geeignete von uns empfohlene Dispergierwerkzeuge bilden ein System zum Bearbeiten von fließfähigen bzw. flüssigen Medien im Chargenbetrieb. Das System wird zum Dispergieren sowie Emulgieren verwendet.

Verwendungsgebiete sind Laboratorien sowie Bildungseinrichtungen.

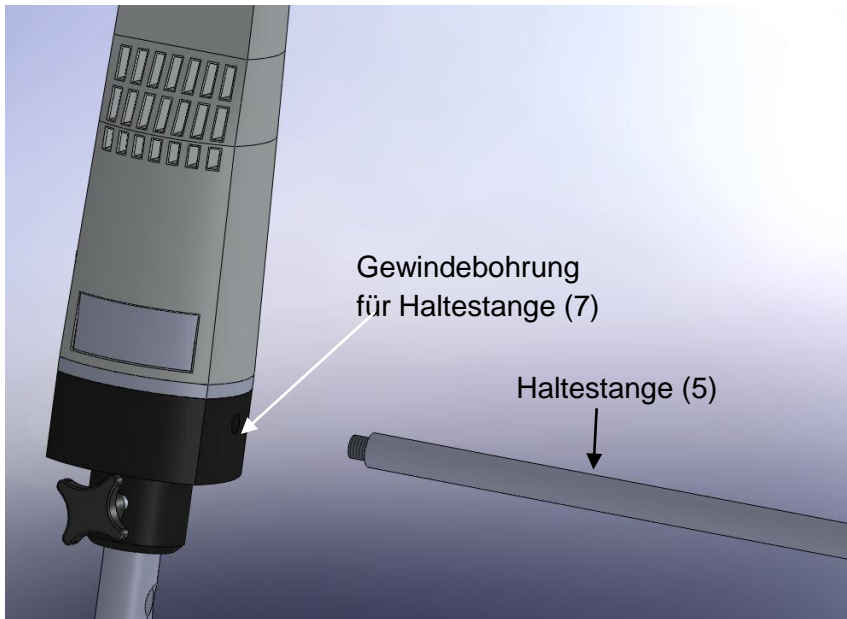
Für einen sicheren Betrieb muss das System an einem geeigneten Stativ befestigt werden.

4.2 Beschreibung des Antriebs X360



4.3 Aufbau

4.3.1 Montage der Haltestange

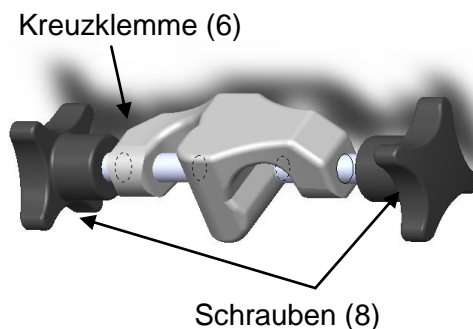


- Schrauben Sie die Haltestange (5) in die Gewindebohrung (7) auf der Rückseite des Gerätes.
- Stecken Sie einen geeigneten Schraubendreher in die Bohrung am Ende der Haltestange drehen Sie nach rechts und ziehen somit die Haltestange fest.

4.3.2 Befestigen des Antriebs am Stativ

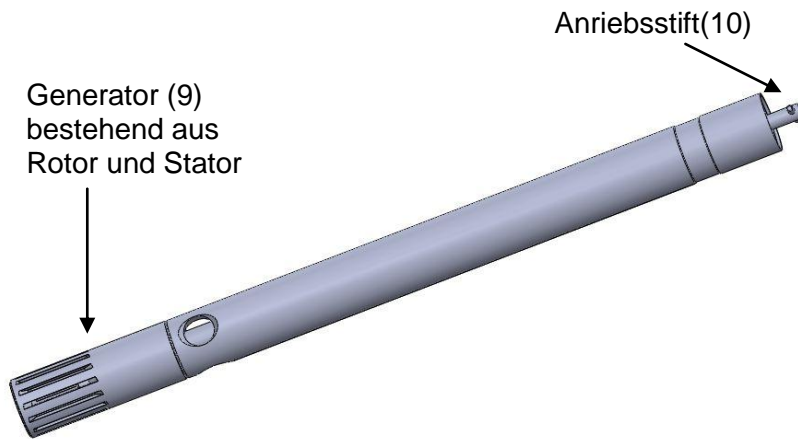


Um einen sicheren Betrieb zu gewährleisten, muss der Antrieb mit Hilfe einer Kreuzklemme (6) am Stativ befestigt werden. Vibrationen können dazu führen, dass sich die Schrauben (8) an der Klammer lösen. Überprüfen Sie regelmäßig vor jedem Gebrauch, ob die Schrauben der Kreuzklemme noch fest angezogen sind.



- Befestigen Sie die Kreuzklemme (6) am Stativstab.
- Jetzt befestigen Sie den Antrieb am Stativ indem Sie die Haltestange (5) in die freie Öffnung der Kreuzklemme (6) schieben.
- Drehen Sie die Schrauben (8) der Kreuzklemme (6) fest zu.

4.4 Beschreibung eines Dispergierwerkzeugs

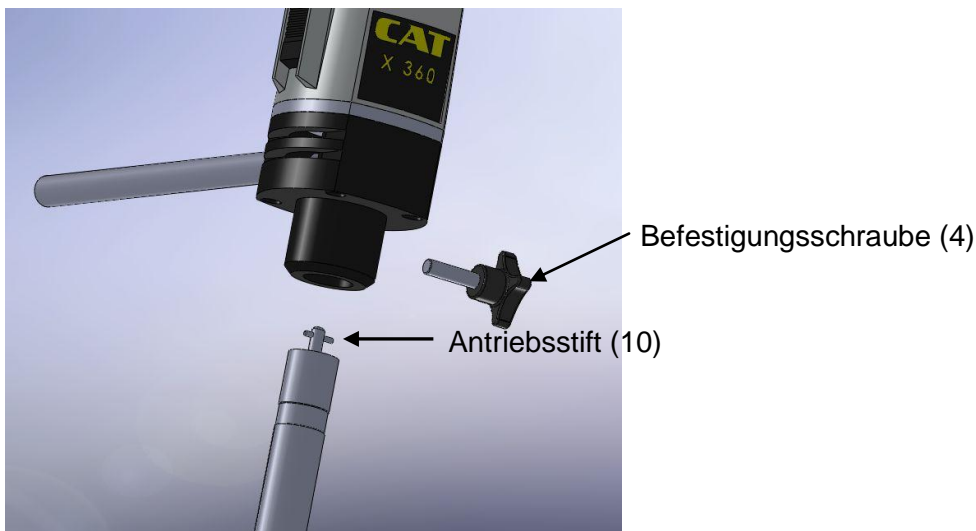


4.4.1 Anbringen des Dispergierwerkzeugs



Die Generatoren haben scharfe Kanten. Verletzungsgefahr!

Dispergierwerkzeuge werden immer zusammengebaut angeliefert. Der Antriebsstift (10) befindet sich am oberen Ende des Schaftes. Er dient zur Verbindung des Schaftes mit dem Antrieb. Führen Sie den Schaft in die Kupplung des Antriebs ein. Jetzt drehen Sie den Schaft etwas hin und her bis Sie den Antriebsstift im Kupplungsstück einrasten hören. Befestigen Sie jetzt den Schaft mit der Befestigungsschraube (4).



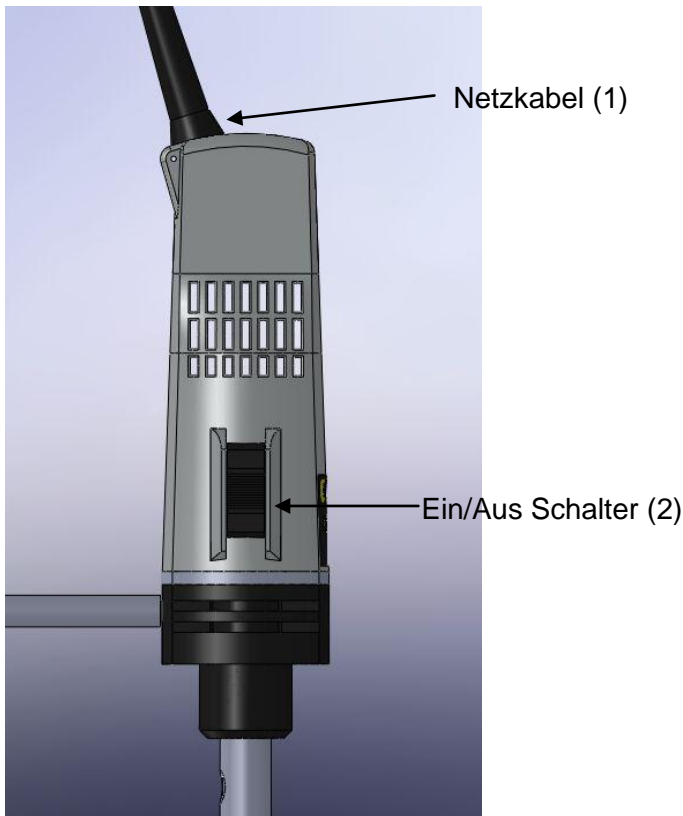
Lassen Sie das Dispergierwerkzeug nie trocken laufen! Das zu bearbeitende Medium dient gleichzeitig auch zur Kühlung der Lager und Dichtungen. Hierdurch wird eine Beschädigung des Werkzeugs vermieden. Der Abstand zwischen Dispergierwerkzeug und Gefäßboden darf nicht weniger als 10mm betragen. Der Flüssigkeitsstand sollte mindestens 55 mm betragen. Um einen Vortex zu vermeiden muss das Dispergierwerkzeug außer-mittig ins Gefäß eingetaucht werden. Sind alle diese Voraussetzungen erfüllt ist das System betriebsbereit.

4.5 Betrieb X360



Achtung:

Achten Sie vor der Verbindung des Gerätes mit dem Stromnetz darauf, dass die Netzspannung mit den Angaben auf dem Typenschild übereinstimmt.



4.5.1 Anschließen des Gerätes ans Stromnetz

Wenn das System komplett zusammengebaut und am Stativ befestigt ist, stecken Sie den Stecker in eine geeignete Steckdose.

Das Gerät wird mit dem Ein-/Ausschalter (2) vorne am Gehäuse gestartet.

Position I: Motor läuft

Position 0: Motor aus

Starten Sie immer mit der Mindestdrehzahl und erhöhen Sie diese langsam bis zur gewünschten Einstellung.



Achtung:

Der Ein-/Ausschalter (2) ist nur einpolig und trennt das Gerät nicht vollständig vom Netz. Zur vollständigen Trennung vom Netz, Stecker ziehen!



Bevor Sie das Gerät einschalten stellen Sie sicher dass:

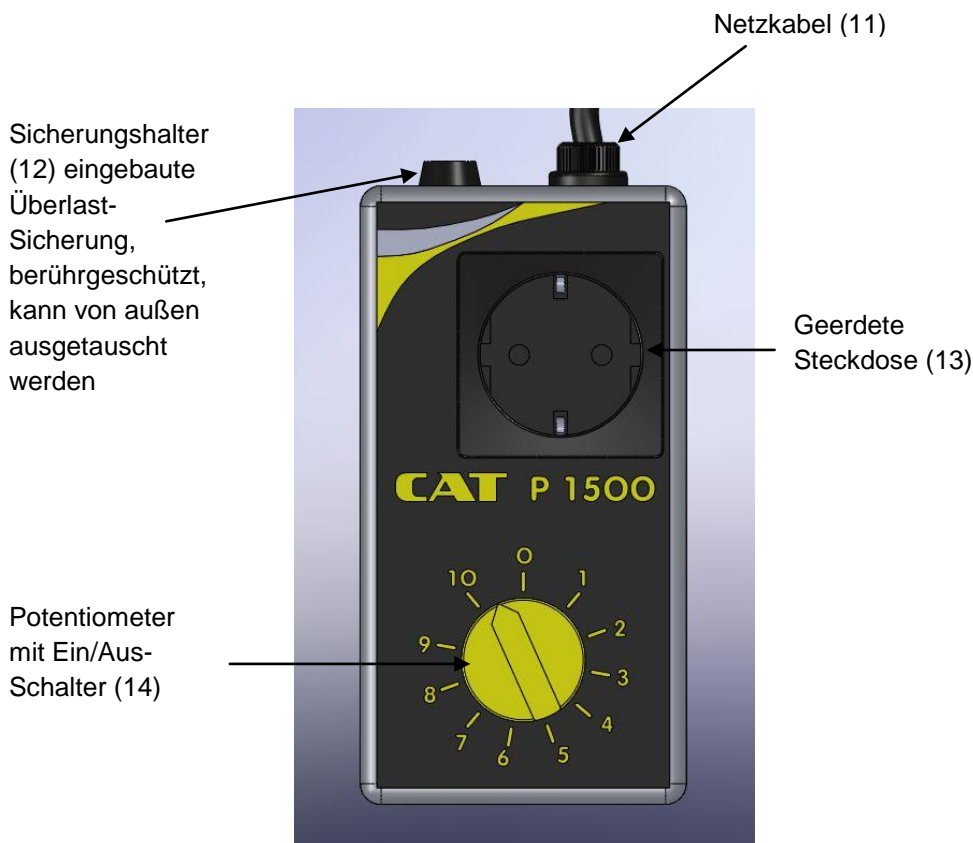
- die Mindestdrehzahl eingestellt ist
- der Generator (9) des Dispergierwerkzeugs in der Flüssigkeit eingetaucht ist. Um einen Vortex zu vermeiden, tauchen Sie den Schaft außer-mittig ein
- das Gefäß gegen Eigendrehung, Schütteln und Wandern gesichert ist.
- Die Kühlschlitze nicht abgedeckt sind, da hiermit der Antrieb gekühlt wird.

4.5.2 Beschreibung der Drehzahlregelung über P1500 für X360:

Mit dem Leistungsteller P1500 kann die Drehzahl des X360 geregelt werden.



Die in der Tabelle genannten Werte sind nur eine ungefähre Angabe.



Ungefähre Drehzahlwerte

Pos.	1	2	3	4	5	6	7	8	9	10
1/min.	10800	13500	18000	21500	25800	30500	32800	36500	40000	42500

4.5.3 Betrieb des X360 mit Leistungssteller P1500

- Stecken Sie den Stecker des X360 (1) in die Ausgangssteckdose (13) des Leistungsstellers P1500
- Stecken Sie den Stecker (11) des P1500 in eine geeignete Steckdose.
- Schalten Sie dem X360 mit dem Ein/Aus-Schalter (2) ein
- Die Drehzahl kann jetzt mit dem Potentiometer (14) geregelt werden. Achten Sie darauf, dass das Potentiometer (14) auf Position "1" steht.
- Jetzt ist der Leistungssteller betriebsbereit.
- Starten Sie immer mit der Mindestdrehzahl (Position "1") und erhöhen Sie diese langsam bis Sie die gewünschte Drehzahl erreicht haben.

4.6 Austausch der Dispergierwerkzeuge



Achtung die Generatoren haben scharfe Kanten. Verletzungsgefahr!

- Bevor Sie das Dispergierwerkzeug wechseln, schalten Sie das Gerät aus und trennen es vom Netz, indem Sie den Stecker ziehen.
- Befestigungsschraube (6) lösen und Schaft mit der Hand aus der Kupplung ziehen.
- Führen Sie den neuen Schaft in die Kupplung des Antriebs ein. Jetzt drehen Sie den Schaft etwas hin und her bis Sie den Antriebsstift im Kupplungsstück einrasten hören.
- Befestigen Sie jetzt den Schaft mit der Befestigungsschraube (6).

4.6.1 Austausch des Generators



Die Generatoren haben scharfe Kanten. Achtung: Verletzungsgefahr!

Um den Generator auszutauschen (Rotor und Stator), entfernen Sie den Schaft aus dem Antrieb wie unter Punkt 4.6 beschrieben.

Den Rotor lösen Sie mit Hilfe der zwei Spezialschlüssel (separat zu bestellen). Der Steckschlüssel dient zum Gegenhalten des Schaftes, der Rotorschlüssel zum Lösen bzw. Anziehen.

- Stecken Sie den Rotorschlüssel in den Rotor und den Antriebsstift in den Steckschlüssel.
- Drehen Sie den Rotorschlüssel nach links, um den Rotor zu lösen.
- Danach kann der Stator von Hand durch Drehen nach **rechts** gelöst werden (Achtung: Linksgewinde!)



Wichtiger Hinweis

Lösen Sie den Rotor immer zuerst bevor der Stator abgeschraubt wird.

5 Reinigung und Wartung

5.1 Reinigung des Antriebs X360

Zur Reinigung des Antriebs verwenden Sie bitte nur Wasser und ein geeignetes Reinigungsmittel (z.B. Geschirrspülmittel) oder benutzen Sie Isopropylalkohol um hartnäckige Verschmutzungen zu entfernen.

5.2 Reinigen des Dispergierwerkzeugs



Die Generatoren haben scharfe Kanten. Vorsicht! Verletzungsgefahr.

Um ein Verstopfen zu vermeiden, reinigen Sie Schaft, Generator und bei Verwendung eines G-Schafts die Dichtungsteile nach jedem Gebrauch. Hierzu tauchen Sie den Schaft in ein geeignetes Lösungsmittel, welches das Werkzeug von Rückständen befreit und das die Dichtungen nicht angreift.

Dies ist normalerweise ausreichend um den Generator zu reinigen.

Chemische Sterilisation kann zur Reinigung ebenfalls angewendet werden. Allgemein gebräuchliche Desinfektionsmittel wie z.B. Alkohol können hierzu verwendet werden.

Wichtig: Entfernen Sie Desinfektionsmittel-Rückstände mit sterilisiertem Wasser.



Wichtiger Hinweis:

Stellen Sie sicher, dass Lager, O-Ringe und Dichtungen chemisch-beständig zu den verwendeten Lösungsmitteln sind.

Dampfsterilisation:

Benutzen Sie hierzu einen Dampfstrahl mit 2 bar Druck bei 120°C.

Hinweis: Rotor- und Steckschlüssel sind als Zubehör in der Preisliste aufgeführt.

5.3 Wartung des Antriebs X360



Achtung:

Öffnen Sie das Gerät nicht. Reparaturen dürfen nur von einem ausgebildeten Fachmann durchgeführt werden.

5.4 Wartung der Dispergierwerkzeuge



Die Generatoren haben scharfe Kanten. Achtung! Verletzungsgefahr!

Die Dichtungen der Dispergierwerkzeuge müssen ständig überwacht werden. Bei Leckage kann der Ansaugeneffekt des rotierenden Schaftes bewirken, dass Flüssigkeit bis in den Antrieb gelangt.

Wenn Flüssigkeit aus den Seitenlöchern am oberen Ende des Schafts heraustritt, stoppen Sie den Betrieb sofort und überprüfen Sie die Dichtungen. Die Funktion des Generators hängt von dem Zustand der Zähne des Generators ab. Diese Zähne können beim Bearbeiten von abrasiven Medien sehr schnell verschleifen. Dies vermindert die Effektivität des Vorgangs.

5.5 Austausch der Sicherungen des Leistungsstellers P1500

- Ziehen Sie den Netzstecker des Leistungsstellers (11) aus der Steckdose
- Ziehen Sie den Netzstecker des Gerätes (2) aus der Steckdose (13) des Leistungsstellers
- Öffnen Sie den Sicherungshalter (12) mit einer Münze oder einem Schraubendreher
- Tauschen Sie die Sicherung gegen eine neue



Verwenden Sie nur Ersatzsicherungen, die dem Originaltyp entsprechen. Spannungsfestigkeit 250 V, hohes Schaltvermögen

6 Abbau, Transport und Lagerung

6.1 Abbau

1. Schalten Sie das Gerät aus.
2. Ziehen Sie den Netzstecker.
3. Entfernen Sie sämtliche Behälter und Gegenstände um das Gerät herum.
4. Entfernen Sie das Dispergierwerkzeug aus dem Antrieb.
5. Lösen Sie die Schraube der Kreuzklemme und nehmen den Antrieb vom Stativ.
6. Entfernen Sie die Kreuzklemme von der Haltestange.
7. Schrauben Sie die Haltestange heraus.
8. Jetzt können Sie das Gerät aus der Arbeitsumgebung entfernen.

6.2 Transport und Lagerung

Vor dem Transport:

- Schalten Sie das Gerät aus und gehen Sie wie unter Punkt 8.1 beschrieben vor.
- Verpacken Sie Gerät und Zubehör in den Originalkarton oder einen anderen geeigneten Karton, um das Gerät während des Transports zu schützen.
- Verschließen Sie den Karton mit Klebeband.

Lagern Sie das Gerät in einer trockenen Umgebung. Beachten Sie bitte die angegebenen Umgebungsbedingungen wie Temperatur und Luftfeuchtigkeit.

Setzen Sie das Gerät keinen mechanischen Erschütterungen oder Vibrationen während des Transports aus.

Sollte der Originalkarton nicht mehr zur Verfügung sein markieren Sie die Verpackung wie folgt:

- Glassymbol (Vorsicht zerbrechlich)
- Regenschirm (trocken aufbewahren)
- Inhalt (Aufstellung des Inhalts)
- Umgebungsbedingung:
 - Max. Umgebungstemperatur : RT bis +40°C
 - Max. Feuchtigkeit: 80%

7 Entsorgung



Schadhafte und/oder entsorgte elektrische oder elektronische Geräte müssen an den dafür vorgesehenen Recycling-Stellen abgegeben werden.

Auch das Verpackungsmaterial sollte umweltgerecht (Materialtrennung) entsorgt werden.

8 Garantie und Haftungsausschluss

Der Hersteller verpflichtet sich dem Käufer gegenüber dieses Produkt entweder durch Reparatur oder nach Wahl des Herstellers durch Austausch jeden Fehler in Material oder Verarbeitung zu beheben, der sich innerhalb von 24 Monaten nach Auslieferung dieses Produktes herausstellt. Für den Fall des Austausches wird die Garantie weiterhin bis zum Ende der 24monatigen Laufzeit ab Kaufdatum laufen.

Für allfälligen Kundendienst ist der Händler oder der Hersteller einzuschalten.

Diese Garantie wird nicht gewährt, wenn der Defekt oder die Fehlfunktion verursacht wird durch Unfall, Nachlässigkeit, unsachgemäßen Gebrauch, unsachgemäßen Service und andere Gründe, die nicht auf fehlerhafte Materialien oder Verarbeitung zurückzuführen sind.

Sämtliche Garantie- und Gewährleistungsansprüche sind beschränkt auf die fachgerechte und sachgemäße Anwendung des Gerätes unter Beachtung der allgemeinen Sicherheitsvorschriften und dieser Bedienungsanleitung. Der Hersteller ist zu keinerlei anderen Leistungen als den in dieser Garantieerklärung enthaltenen verpflichtet. Insbesondere sind Personen- und Sachschäden, die als Folge von fehlerhaften Teilen oder sonstigen Funktionsfehlern auftreten, von der Haftung ausgeschlossen.

Die Verpflichtung des Herstellers ist im Umfang begrenzt auf die Reparatur oder den Austausch von fehlerhaften Teilen. Der Hersteller ist unter keinen Umständen zu Schadensersatz verpflichtet für Folgeschäden jeder Art, die aus der Verwendung und dem Besitz dieses Produktes sich ergeben können.

9 Technische Daten

9.1 Technische Daten X360

Type: X360	Spezifikationen
Motor Leistungsaufnahme	350 Watt
Leerlauf Mit P1500	fix 45000 1/min regelbar 10800 -42500 1/min
Netzspannung	230V/50 Hz oder 110V/60 Hz
Abmessungen	230x63x62 mm, LxBxT
Drehzahlanzeige	-
Gewicht	1.3 kg
Zulässige Umgebungstemperatur	5 - 40 °C
Zulässige Luftfeuchtigkeit	80 % RH

9.2 Technische Daten P1500

Type: P1500	Spezifikationen
Power Supply	230 V AC 50/60 Hz, 1500 W
Abgabe	25 – 228 V AC stufenlos und verlustfrei
Regelung	Über Potentiometer
Anschluss	Kabel, 120 cm lang und Schuko-Stecker
Verbraucher	Schuko-Steckdose
Abmessungen	150x80x55 mm, LxBxH
Gewicht	0.5 kg
Sicherung	6.3A, FF 250V, 5x20mm
X360 und P1500	
Zulässige Umgebungstemperatur	5 - 40 °C
Relative Feuchtigkeit	80 % RH

10 Reparaturen



Bitte sorgen Sie bei der Anlieferung von Reparaturgeräten, die mit gefährlichen Arbeitsstoffen in Berührung gekommen sind dafür:

- Möglichst genaue Stoffangabe des Mediums
- Schutzmaßnahmen zum sicheren Umgang für unser Annahme- und Wartungspersonal
- Kennzeichnung der Verpackung gemäß der Gefahrenstoffverordnung

10.1 Rücksendeformular

<p>Wichtig:</p> <ol style="list-style-type: none"> 1. Kalibrieren des Instruments wird automatisch durchgeführt. 2. Sie erhalten einen Kostenvoranschlag für die zu erwartenden Reparaturkosten. 3. Reparaturen werden bei Freigabe durchgeführt.
--

KONTAKT	
Ansprechpartner:	Tel.
Fax Nr.	Email:
Rechnungsanschrift:	Lieferanschrift:
Firma	Firma
Adresse	Adresse

GERÄTEINFORMATION		
Modell	Serien- Nr.	
Problem-/Fehlerbeschreibung		
Betriebsbedingungen (bitte ausfüllen, wenn zutreffend)		
Umgebungstemp.	Rel. Feuchtigkeit	Drehzahl
Zuladegewicht	Volumen	Viskosität
Temperatur in °C	Probentemperatur	Laufzeit
Probenbeschreibung*		

*HINWEIS: Sollte das Gerät mit gefährlichen Stoffen in Berührung gekommen sein, muss es vor dem Versand an CAT dekontaminiert werden. Fügen Sie der Rücklieferung die entsprechenden Sicherheitsdatenblätter bei.

RÜCKSENDUNG

UPS <input type="checkbox"/>	Paketpost <input type="checkbox"/>	Andere** <input type="checkbox"/>
------------------------------	------------------------------------	-----------------------------------

**Bitte nennen Sie uns Ihren Spediteur, Anschrift, Sachbearbeiter/in sowie dessen/deren Telefonnummer

VERPACKUNGSHINWEISE

- ✓ Bitte entfernen Sie sämtliches Zubehör. (Z.B. Dispergierwerkzeuge, Rührpaddel, etc.)
- ✓ Reinigen Sie das Gerät und Zubehör von Probematerial-Rückständen
- ✓ Legen Sie dem Gerät die entsprechenden Sicherheitsdatenblätter für eventuell benutzte gefährliche Stoffe bei.
- ✓ Verpacken Sie das Gerät in die Originalverpackung. Sollte diese nicht mehr vorhanden sein, achten Sie darauf, dass das Gerät sowie Zubehör ausreichend geschützt verpackt wird.
- ✓ Plattenstativ und Halteklammer bitte nicht einschicken. Diese senden Sie nur zurück, wenn sie beschädigt sind. Um Transportschäden zu vermeiden, achten Sie bitte darauf, dass Gerät und Zubehör individuell verpackt werden.
- ✓ Verpacken Sie das Gerät mit dem Zubehör in einen ausreichend starken Versandkarton. Kennzeichnen Sie dessen Außenseite mit
 Beispiel: "Vorsicht" oder "Vorsicht-zerbrechlich" und schicken Sie die Waren an:
Ingenieurbüro CAT, M. Zipperer GmbH, Service Department, Etzenbach 16, D-79219 Staufen



**Konformitätserklärung
Declaration of conformity
Déclaration de conformité**

Wir erklären in alleiniger Verantwortung, dass dieses Produkt (siehe Tabelle) den Bestimmungen der Richtlinien entspricht und mit den folgenden Normen oder normativen Dokumenten übereinstimmt:

2006/95/EG

DIN EN 61010-1; VDE 0411-1:2002-08; Berichtigung 1; VDE 0411-1 Berichtigung 1:2002-11; Berichtigung 2; VDE 0411-1 Berichtigung 2:2004-01
DIN EN 61010-2-051; VDE 0411-2-051:2004-07

2004/108/EG

DIN EN 61326-1; VDE 0843-20-1:2006-10
DIN EN 61000-6-2; VDE 0839-6-2:2006-03
DIN EN 61000-6-4; VDE 0839-6-4:2007-09
DIN EN 61000-4-2; VDE 0847-4-2:2009-12
DIN EN 61000-4-3; VDE 0847-4-3:2008-06
DIN EN 61000-4-4; VDE 0847-4-4:2005-07
DIN EN 61000-4-5; VDE 0847-4-5:2007-06
DIN EN 61000-4-6; VDE 0847-4-6:2009-12
DIN EN 55011; VDE 0875-11:2010-05
DIN EN 55014-1; VDE 0875-14-1:2010-02
DIN EN 55014-2; VDE 0875-14-2:2009-06

2006/42/EG

DIN EN ISO 12100-1:2004-04
DIN EN ISO 12100-2:2004-04

Bei einer nicht mit uns abgestimmten Änderung des Gerätes verliert diese Erklärung ihre Gültigkeit und die Gewährleistung erlischt.

**Ingenieurbüro CAT
M. Zipperer GmbH**

**Manfred Zipperer
Geschäftsführer**

Type
X360, 230V +/- 10%, 50/60Hz, 350 W
X360, 115V +/- 10%, 50/60Hz, 350W

79219 Staufen, den 19. April 2011