

**CAT**

*Ingenieurbüro  
M. Zipperer GmbH  
Etzenbach 16  
D-79219 Staufen*

## *Instruction Manual*

---

### *Homogenising System UNIDRIVE X1000 and X1000D*



## Content

1	General Information .....	5
2	Unpacking the Instrument .....	5
2.1	Scope of Delivery.....	5
2.2	Homogenising Tools and Accessories (to be ordered separately): .....	5
3	Safety Information .....	7
3.1	Explanation of the Safety Information in the Instruction Manual .....	7
3.2	Explanation of the Safety Information on the Device .....	8
3.3	General Safety Information .....	8
4	Set-up and Operation .....	8
4.1	Intended Use.....	8
4.2	Description Drive Unit UNIDRIVE X1000/X1000D.....	9
4.3	Set-up .....	10
4.3.1	Assembly of Support Rod.....	10
4.3.2	Attaching the Drive Unit to a Stand .....	11
4.4	Description of a Homogenising Tool .....	11
4.4.1	Inserting the Homogenizing Tool .....	12
4.5	Operation UNIDRIVE X1000/X1000D .....	13
4.5.1	Connect the Unit to the Mains. ....	13
4.5.2	Description of the Speed Scale X1000 and X1000D: .....	14
4.6	Exchanging the Homogenizing Shafts .....	14
4.6.1	Exchanging the Generator:.....	14
5	Assembling the DK 30 Flow-Through-Chamber.....	15
5.1	Description of DK 30 Flow-Through-Chamber .....	15
5.2	Mounting the Flow-Through-Chamber to the Drive Unit UNIDRIVE X1000/X1000D ...	16
6	Operation of Flow Through-Chamber.....	17
6.1	Flow-Through Mode .....	17
6.2	Circulation Mode .....	17
7	Analytical Mill Attachment AX 60.....	17
7.1	Description of the Analytical Mill Attachment AX 60 .....	17
8	Mounting of the Analytical Mill AX 60 .....	18
8.1	Exchange of the cutting knife .....	19
9	Maintenance and Cleaning .....	19
9.1	Cleaning the Drive Unit UNIDRIVE X1000/X1000D .....	19
9.2	Cleaning the Homogenising Tool.....	19

9.3	Rough Cleaning of Flow-Through-Chamber and Tubing .....	20
9.4	Cleaning the Inside of the Flow-Through-Chamber.....	20
9.5	Cleaning of the Analytical Mill Attachment AX 60.....	20
9.6	Maintenance of drive units UNIDRIVE X1000/X1000D .....	20
9.7	Maintenance homogenizing tools .....	21
10	Dismantling, Transport and Storage.....	21
10.1	Dismantling.....	21
10.2	Transport and Storage.....	21
11	Disposal .....	22
12	Warranty and Liability .....	22
13	Technical Data .....	23
13.1	Technical Data UNIDRIVE X1000/X1000D.....	23
14	Repairs .....	23
14.1	Repair Return Form.....	24
1	Allgemeine Information .....	26
2	Auspacken des Gerätes .....	26
2.1	Lieferumfang und Zubehör.....	26
2.2	Dispergierwerkzeuge und Zubehör (separat zu bestellen):.....	26
3	Sicherheitshinweise .....	29
3.1	Erläuterung der Sicherheitshinweise in der Bedienungsanleitung.....	29
3.2	Erläuterung der Sicherheitshinweise auf dem Gerät .....	29
3.3	Allgemeine Sicherheitshinweise .....	29
4	Aufbau und Betrieb .....	30
4.1	Zweckbestimmung .....	30
4.2	Beschreibung des Antriebs UNIDRIVE X1000/X1000D .....	31
4.3	Aufbau .....	32
4.3.1	Montage der Haltestange .....	32
4.3.2	Befestigen des Antriebs am Stativ .....	33
4.4	Beschreibung eines Dispergierwerkzeugs .....	33
4.4.1	Anbringen des Dispergierwerkzeugs .....	34
4.5	Betrieb UNIDRIVE X1000/X1000D .....	35
4.5.1	Anschließen des Gerätes ans Stromnetz .....	36
4.5.2	Beschreibung der Stellradzahlen des X1000 und X1000D:.....	36
4.6	Austausch der Dispergierwerkzeuge.....	36
4.6.1	Austausch des Generators .....	37

5	Montage der DK 30 Durchflusskammer.....	37
5.1	Beschreibung der DK 30 Durchflusskammer.....	37
5.2	Befestigung der Durchflusskammer am Antrieb UNIDRIVE X1000/X1000D .....	38
6	Betrieb der Durchflusskammer .....	39
6.1	Durchfluss-Verfahren .....	39
6.2	Umlaufverfahren .....	39
7	Analysenmühle AX 60.....	39
7.1	Beschreibung der Analysenmühle AX 60.....	39
8	Befestigen der Analysenmühle AX 60 .....	40
8.1	Austausch des Messers .....	41
9	Reinigung und Wartung .....	41
9.1	Reinigung des Antriebs UNIDRIVE X1000/X1000D.....	41
9.2	Reinigen des Dispergierwerkzeugs.....	41
9.3	Vorreinigung der Durchflusskammer und den Schläuchen .....	42
9.4	Reinigung des Kammerinnenraums .....	42
9.5	Reinigung der Analysenmühle .....	42
9.6	Wartung des Antriebs UNIDRIVE X1000/X1000D .....	42
9.7	Wartung der Dispergierwerkzeuge .....	43
10	Abbau, Transport und Lagerung .....	43
10.1	Abbau.....	43
10.2	Transport und Lagerung.....	43
11	Entsorgung .....	44
12	Garantie und Haftungsausschluss .....	44
13	Technische Daten .....	45
14	Reparaturen .....	45
14.1	Rücksendeformular .....	46

## 1 General Information

The CAT homogeniser Unidrive X1000/Unidrive X1000D is designed in accordance with Safety Class 1 and built and tested in accordance with DIN EN 61010.

According to these regulations the unit is designed to meet the requirements for safe and correct operations. To maintain the proper safety and operational functions of the instrument the user should follow the instructions and safety guidelines in this manual.

## 2 Unpacking the Instrument

Unpack the instrument carefully and check to see that it is not damaged. It is important that any damage incurred in transport to be recognized at the time of unpacking. Notify your carrier or forwarding agent immediately in case of such damage.

### 2.1 Scope of Delivery

Please check that the package contains the following:

Type	Description	Part No.
X 1000	Homogenizing Drive Unit, 230V	60402-50 or
X 1000	Homogenizing Drive Unit, 115V	60402-51 or
X 1000D	Homogenizing Drive Unit, 230V	60406-50 or
X 1000D	Homogenizing Drive Unit, 115V	60406-51 or
	1 Support Rod	
	1 Instruction Manual	

### 2.2 Homogenising Tools and Accessories (to be ordered separately):

Tools	Description	Part No.
T 6	Shaft, 6 mm diameter, 55 mm long, complete with generator	60420*
T 6	Shaft, 6 mm diameter, 120 mm long, complete with generator	60410*
T 10	Shaft, 10 mm diameter complete with generator	60421*
T 17	Shaft, 10 mm diameter, complete with 17 mm generator	60426*
T 20	Shaft, 20 mm diameter complete with generator	60422*
G 20	Shaft, 20 mm diameter complete with generator	60423*
T 30	Shaft, 20 mm diameter complete with 30 mm generator	60424*
G 30	Shaft, 20 mm diameter complete with 30 mm generator	60425*
DK 30	Flow-through chamber for shaft G20 or G30	60428-00
AX60	Analytical mill	60409-00

<b>Tools</b>	<b>Description</b>	<b>Part No.</b>
<b>Spare knife</b>	Knife for AX60 made of stainless steel	60478-00
<b>Spare knife</b>	Knife for AX60 made of stainless steel with carborundum insert	60479-00
<b>Pedestal stand incl. rod</b>	platform overall dimensions: 330x200 mm, rod diameter: 16mm, length:690mm	60491-00
<b>Cross over clamp</b>	Casted alloy clamp to attach the unit to a stand	60492-00
<b>Cross over clamp</b>	Steel clamp to attach the unit to a stand	60492-50
<b>Universal key</b>	Universal rotor wrench for Shafts 6 - 30 mm	60470-00
<b>Socket wrench</b>	for all shafts	60471-00
<b>Rotor wrench</b>	for shaft T 10	60472-00

**Important Note:**

Read this instruction manual carefully before operating the instrument. Should there be any additional questions, after reading these instructions, concerning the set-up, operation or warranty, please contact either your distributor, or the manufacturer at the following address

# CAT

Ingenieurbüro CAT  
M. Zipperer GmbH  
Etzenbach 16  
D-79219 Staufen  
+49-7636-7803-0

**Important Note:**

Please store the instruction manual in a place easily accessible to every user.

**Important Note:**

Make sure that the unit is to be operated under the conditions corresponding to that as described under the section titled "Technical Data"



A EURO AC plug (DIN 49441 CEE 7/VII10/ 16 A 250 V) is standard on all instruments. For North America instruments feature standard US plugs (NEMA Pub.No. WDI1961 ASA C 73.1. 1961 page 8 15A 125V).



When operating the instruments in countries with different AC plug systems use an approved adapter or have a qualified electrician replace the AC plug with an approved model suitable for the country of operation.



The instrument is earthed as supplied. When replacing the original AC plug, ensure that the earth conductor is connected to the new plug!

## 3 Safety Information

### 3.1 Explanation of the Safety Information in the Instruction Manual



This symbol emphasizes the following notices, which have to be strictly observed by the user! Disregarding of warnings may result in impairment of serviceability as well as impairment of the user.



This symbol emphasizes prohibitions, which have to be strictly observed. Any disregard of the prohibitions may result in severe impairment of serviceability as well as severe impairment of the user.



This symbol emphasizes notices, which have to be observed by the user to assure a safe operation of the unit.

**CAUTION:**

Hazard of fire or explosion!

### 3.2 Explanation of the Safety Information on the Device



**CAUTION:**

*This symbol indicates to read the instruction manual carefully prior to operation of the instrument. Please mark points which require special attention in your field of application so they are not overlooked. Disregarding of warnings may result in impairment of serviceability as well as impairment of the user.*

### 3.3 General Safety Information



**Attention:**

*Please comply with all safety and accident-prevention regulations applicable to laboratory work.*



**Attention:**

*Do not use the unit with flammable or explosive substances. The instrument is not explosion-proof.*



**Attention:**

*Only instructed users may operate the instrument.*



**Important Note:**

*Make sure that all safety information of the instrument respectively on the device itself are clearly visible during operation*



**Attention:**

*If noise level exceeds 85 dB (A) at the work station operator must use ear plug and/or ear muffers.*



**Attention:**

*Do not open the instrument. Repairs are only to be carried out by trained service technicians.*



*Ensure that the unit is firmly attached to a stand.*



*Wear ear protection should the noise level exceed 85 dB(A).*



*Wear eye protection.*

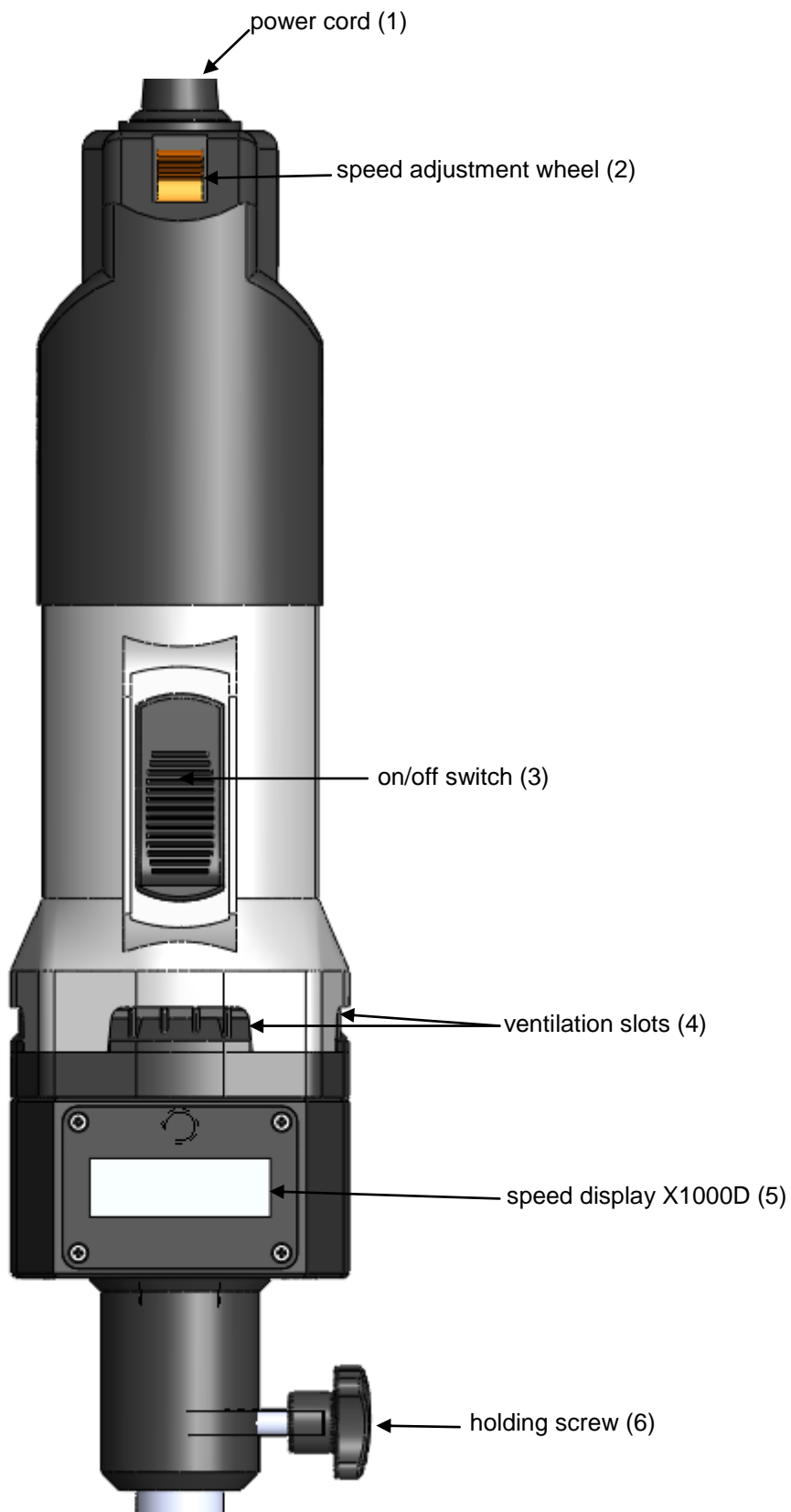
## 4 Set-up and Operation

### 4.1 Intended Use

The UNIDRIVE X1000/X1000D is a homogenizing system which in connection with a homogenizing tool produces emulsions and dispersions. For safe operation the unit has to be fixed to a stand.

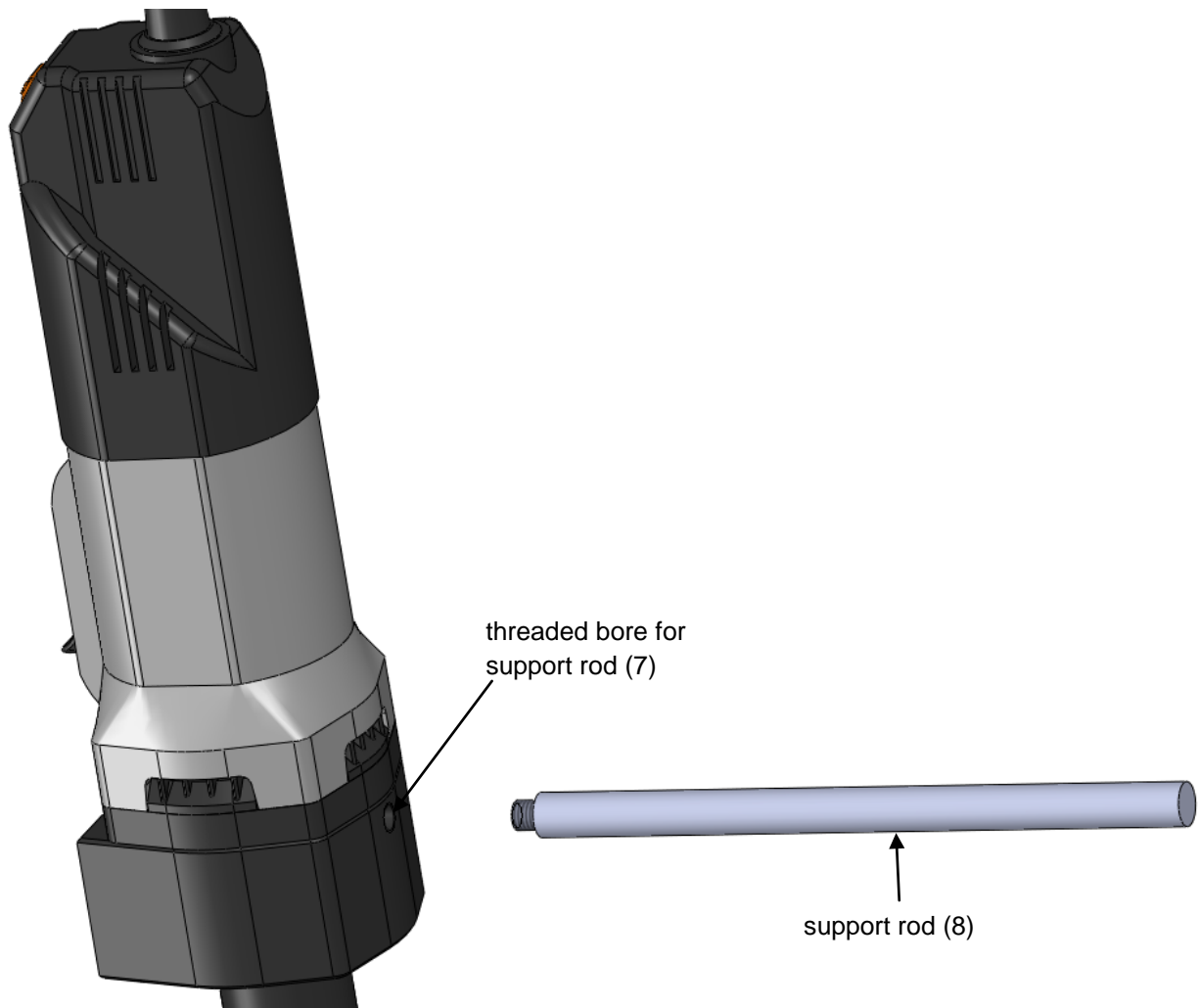


## 4.2 Description Drive Unit UNIDRIVE X1000/X1000D



## 4.3 Set-up

### 4.3.1 Assembly of Support Rod

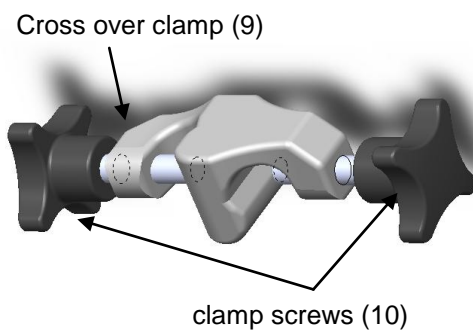


- Screw the support rod (8) into the threaded bore (7) at the back of the unit.
- Insert a screw driver into the bore at the end of the support rod (8) and firmly tighten the support rod by turning the screw driver to the right.

### 4.3.2 Attaching the Drive Unit to a Stand

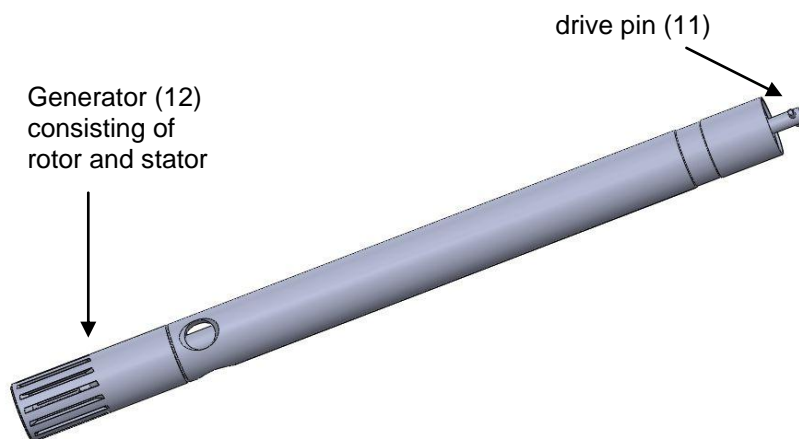


To ensure safe operation mount the drive unit to a stand using a cross over clamp (9). Vibrations may loosen the clamp screws (10). Please check periodically whether all holding screws are securely tight.



- Attach cross over clamp (9) to a stand rod.
- Now attach the drive unit to the stand by inserting the support rod (8) into the free opening of the cross over clamp (9).
- Tighten screws (10) of the cross over clamp (9).

### 4.4 Description of a Homogenising Tool

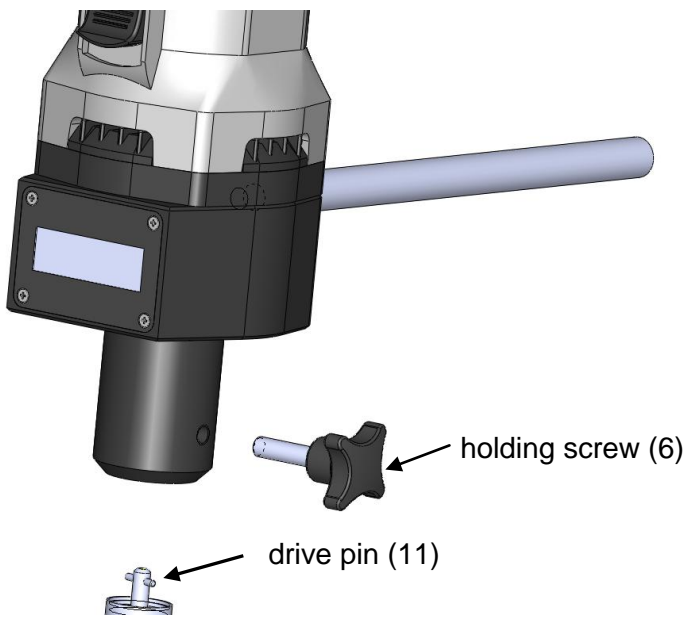


#### 4.4.1 Inserting the Homogenizing Tool



*The Generators have sharp edges. Handle with care. Risk of injuries!*

The homogenizing tool comes always assembled. The connecting adapter (drive pin (11)) is located on the top of the Shaft and is used to attach the Shaft to the drive motor. When inserting the homogenising tool, make sure that the coupling fits well. This can be easily detected by the "click" that is heard when the coupling Shaft has reached the end of the coupling slot of the motor. Securely fasten the holding screw (6).



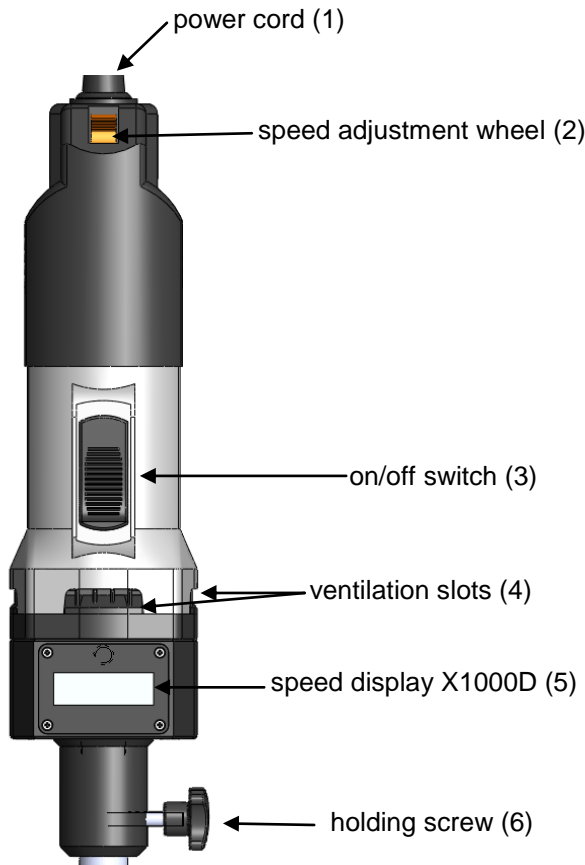
***Never run homogenising tools dry as the bearings and gaskets will be damaged if the Generator is not cooled by the medium. The distance between the homogenising tool and the vessel bottom should not be less than 10mm. The filling of the medium may not be less than about 55 mm. To avoid a vortex it is necessary to insert the dispersing Shaft out of the centre of the vessel. If these conditions are met the unit is ready for operation.***

## 4.5 Operation UNIDRIVE X1000/X1000D



### **Attention:**

*When connecting the instrument to an AC power outlet, ensure that your local supply voltage matches that indicated on the instrument's rating plate.*



### 4.5.1 Connect the Unit to the Mains.

The drive unit is turned on and off by means of the on/off switch (3) at the front of the motor housing.

position I: motor runs  
position 0: motor off

Set the speed with the speed adjustment wheel (2).



### **Caution:**

*The on/off switch (3) is only single-pole and is thus not suitable for safely isolating the unit from the mains supply!*

Before starting the unit make sure that

- the speed is set to the lowest speed
- the Generator (12) of the homogenising tool is inserted in the fluid. To avoid a vortex it is necessary to insert the dispersing Shaft out of the centre of the vessel.
- the vessel is protected against rotating, shaking or moving
- make sure that the air ventilation slots (4) are always open, as this is necessary for cooling purposes

Start the unit always at the lowest speed and then gradually increase the speed to the desired level.

#### 4.5.2 Description of the Speed Scale X1000 and X1000D:

1	=	4000 rpm
2	=	8500 rpm
3	=	15000 rpm
4	=	20000 rpm
5	=	25000 rpm
6	=	33000 rpm

The set speed of UNIDRIVE X1000D is shown the speed display (5).

#### 4.6 Exchanging the Homogenizing Shafts

- Prior to exchange the homogenizing shaft disconnect the unit from the mains supply by unplugging the unit.
- Loosen the holding screw (6) and firmly pull out the Shaft by hand. It will disconnect easily.
- When inserting another Shaft, make sure that the coupling fits well. This can be easily detected by the "click" that is heard when the coupling Shaft has reached the end of the coupling slot of the motor.
- Securely fasten the holding screw (6).

##### 4.6.1 Exchanging the Generator:



*The Generators have sharp edges. Handle with care. Risk of injuries!*

To exchange the Generator (rotor and stator), always take the Shaft out of the motor drive unit as described under 4.6.

For undoing the rotor, use the two special keys (to be ordered separately). The socket wrench is used to counter-hold the Shaft, and the rotor wrench to undo the rotor.

To exchange the stator, remember that the fastening thread is **counter-clockwise**.

You will find further detailed descriptions in the instruction manual which comes with each homogenising tool.



#### **Important Note**

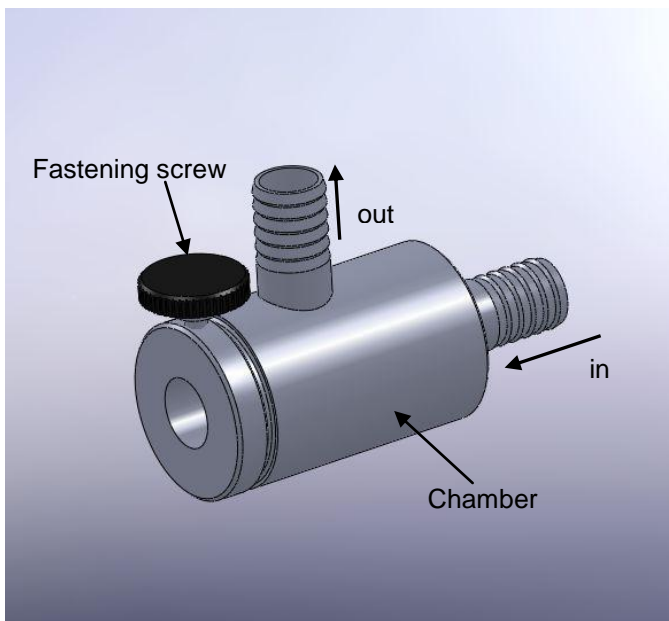
*Always unscrew the rotor first before unscrewing the stator.*

## 5 Assembling the DK 30 Flow-Through-Chamber

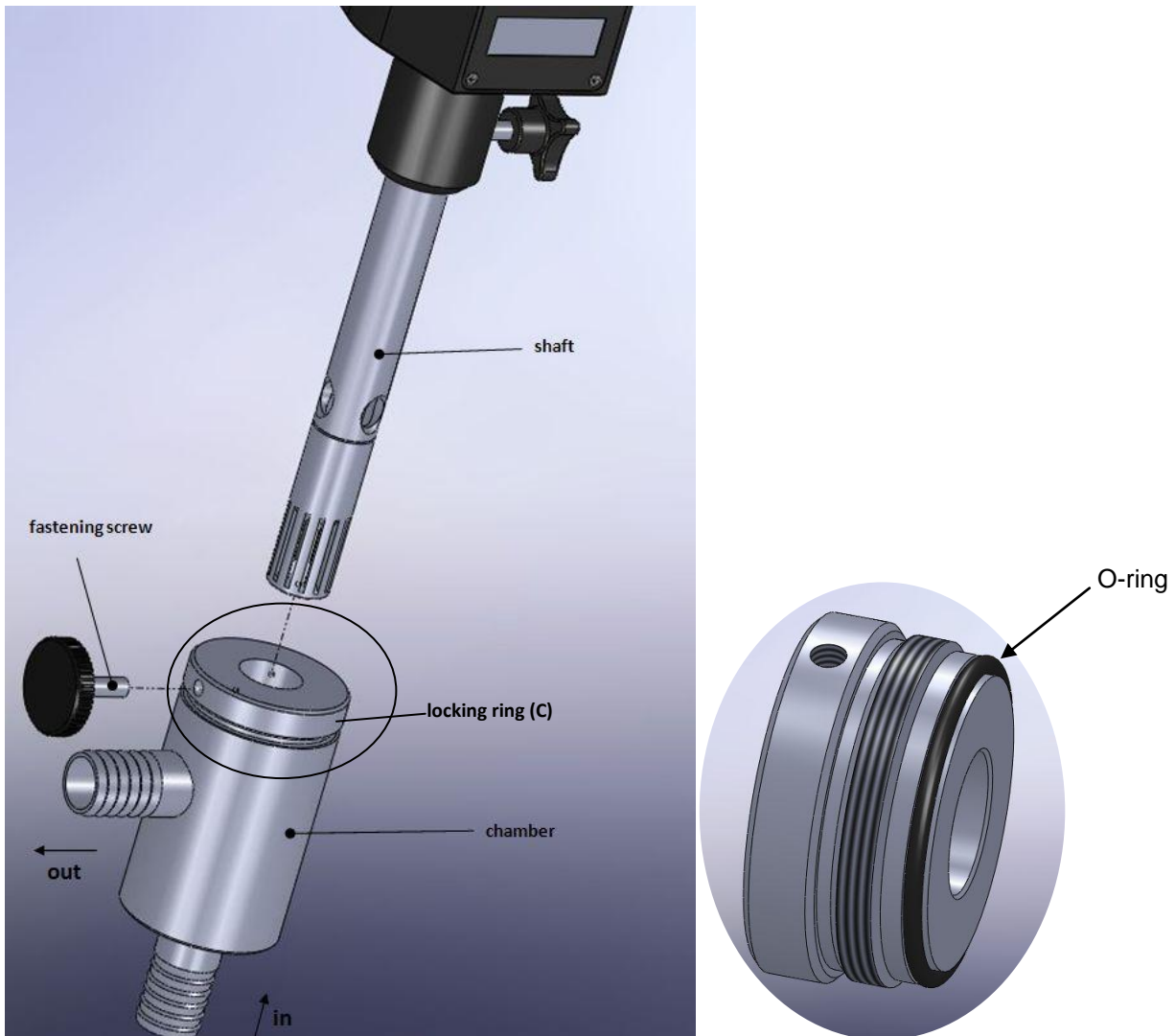
### 5.1 Description of DK 30 Flow-Through-Chamber

The Flow-Through-Chamber DK 30 plus the G20 or G30 dispersing Shaft makes it possible to disperse on through-flow basis.

The results are the same as those attained with the G20 or G30 on a batch basis.



## 5.2 Mounting the Flow-Through-Chamber to the Drive Unit UNIDRIVE X1000/X1000D



Take care to avoid damage of parts during assembling respectively disassembling.

Only the Shafts G20 or G30 are suitable to be connected to the flow-through chamber DK 30; different Generator versions are available (F, N, V and M).

- Remove locking ring (C), now you will see a spacing washer and an O-ring
- Remove thrust washer and O-ring
- Now assemble O-ring, thrust washer and locking ring (C) onto Shaft G20 or G30
- Be sure O-ring and spacing washer are in place -
- Insert Generator end of Shaft G20 or G30 into chamber
- Carefully slide down O-ring, thrust washer and locking ring
- Screw locking ring in completely, to insure complete sealing -
- Push in Shaft G20 or G30 until it reaches the end of the chamber -
- Tighten fastening screw to secure Shaft G20 or G30. The inlet tube at the front end is connected to the system. From the outlet tube at the side the product is pumped into a container. It is possible to re-circulate, if necessary.



## 6 Operation of Flow Through-Chamber

### 6.1 Flow-Through Mode

Connect the vessel containing the media to the inlet by a tube (inner Diameter = 20 mm). Connect another tube (inner Diameter = 20 mm) to the outlet and lead it to a collecting basin.

**Note:** Secure all tube connections with suitable tube clips.

### 6.2 Circulation Mode

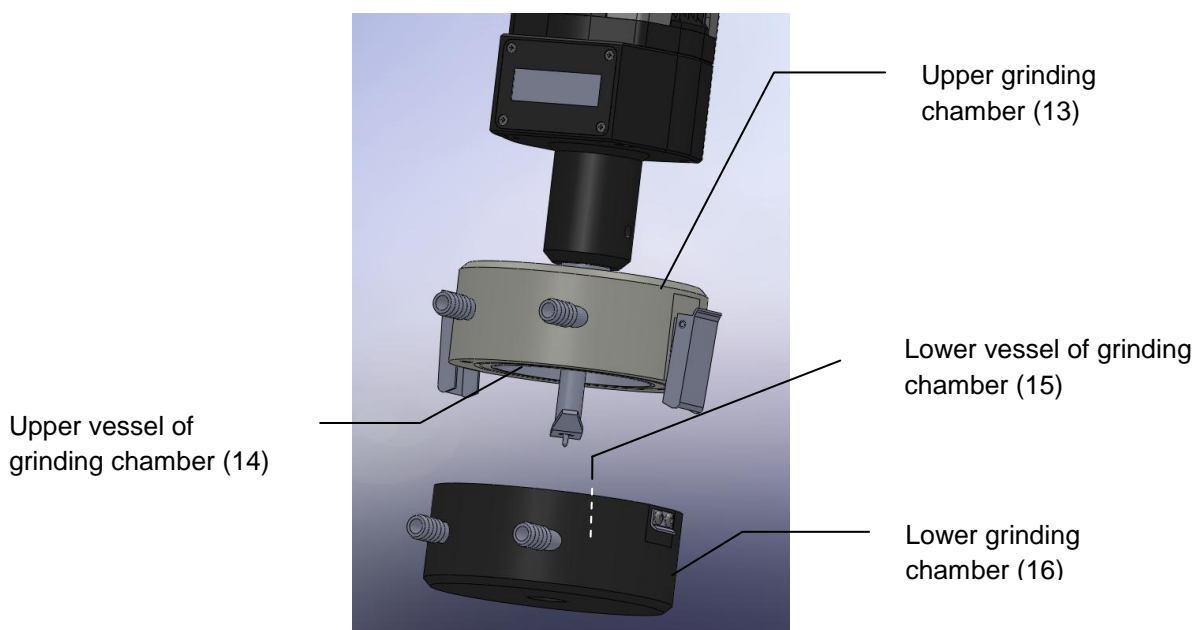
Connect in and outlet tube as described in 6.1 and lead the outlet tube back into the original vessel. This way the medium might flow several times through the in-line unit.

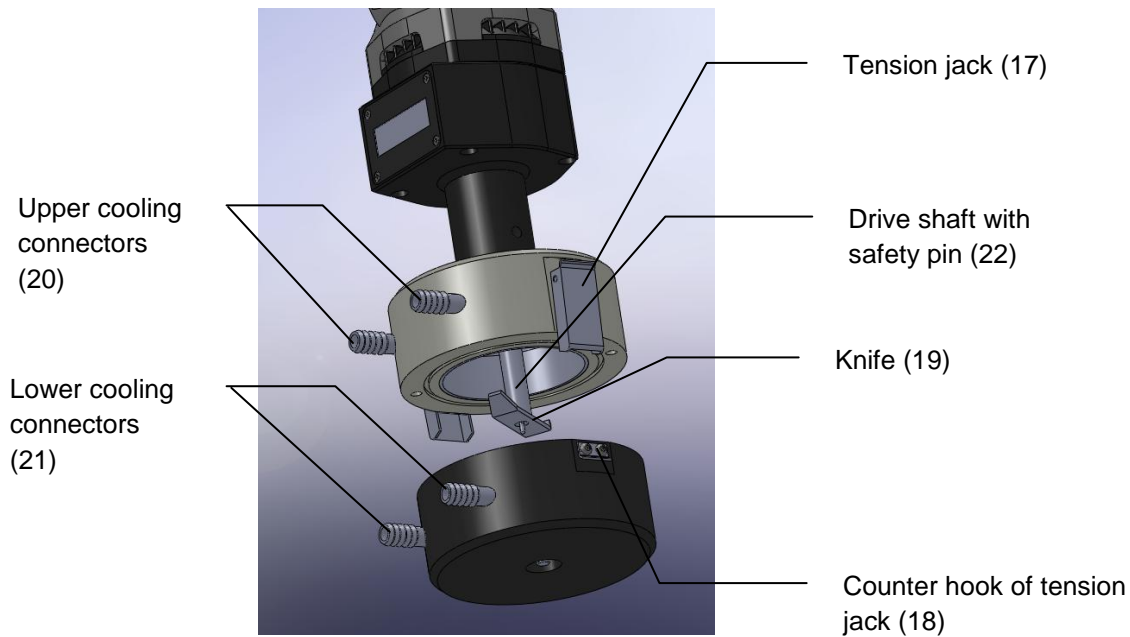
**Note:** The flow-through-chamber is not self-priming. Inlet tube and flow through chamber have always to be filled with a medium. We therefore recommend to set up the vessel containing the sample at the same height as the flow through chamber and to additionally fit a blockage (for example a ball valve) to the connecting tube.

## 7 Analytical Mill Attachment AX 60

### 7.1 Description of the Analytical Mill Attachment AX 60

For analysis, material testing and quality control of organic and inorganic substances of various hardness. The grinding chamber consists of two stainless steel beakers, both with separate cooling facilities. The total capacity of the grinding chamber is 180 cm<sup>3</sup>. The two grinding chambers are – when closed – sealed with an o-ring to prevent from dust and losses. This analytical mill is especially developed to also enable the use of coolants such as N<sub>2</sub> or to crush and analyse material that is best crushed when super cooled. The complete grinding chamber is connected by a mechanical clutch to the drive unit UNIDRIVE X1000 or UNIDRIVE X1000D. The speed control of these motors allow for a smooth start of the grinding mill at low speed. Extremely rapid disintegration of the material is possible due to the very high maximum speed of these motors. The grinding cutter knife (19) declutches when the grinding chamber is opened. The design prevents from unintended run of the cutter when the chamber is not closed.





## 8 Mounting of the Analytical Mill AX 60

- Make sure that the switch of the drive unit is in off position
- Close the chamber and connect it to the drive unit – therefore insert the drive shaft with the safety pin (22) into the coupling of the drive unit. Make sure that the upper part is properly fitted to the drive unit. This can be easily detected by the "click" that is heard when the coupling Shaft has reached the end of the coupling slot of the motor.
- Now fix the mill attachment firmly with the knurled screw at the coupling of the drive unit.
- Start the drive unit at the lowest speed.



**Important Note:** *There are 4 connections for the separate cooling facilities of the two grinding chambers. When using N<sub>2</sub> or other super cooling media please make sure that knife shaft and bearings do not freeze. This could occur due to condensed water.*

## 8.1 Exchange of the cutting knife



**Attention:**

*The cutting knife has sharp edges. Handle with care! Risk of injuries!*

- Prior to exchange the cutting knife disconnect the unit from the mains supply by unplugging the unit.
- Loosen the holding screw (6) and firmly pull out the mill attachment by hand. It will disconnect easily.
- For undoing the cutting knife (19), use the socket wrench (to be ordered separately). It is used to counter-hold the drive shaft (22) to undo the cutting knife.
- Turn the knife to the right
- Now screw on the exchange knife.
- Close the mill attachment and attach it to the motor coupling of the drive unit. Make sure that the coupling fits well. This can be easily detected by the "click" that is heard when the coupling shaft has reached the end of the coupling slot of the motor.
- Securely fasten the holding screw (6).

## 9 Maintenance and Cleaning

### 9.1 Cleaning the Drive Unit UNIDRIVE X1000/X1000D

To clean the drive unit use only water with a detergent that contains tensides or use isopropyl alcohol for stubborn soiling.

### 9.2 Cleaning the Homogenising Tool



*The Generators have sharp edges. Handle with care. Risk of injuries!*

To avoid clogging of the shaft, clean shaft, generator and in case of G-shaft the sealing parts after each use. This is done by operating it in a solvent which dissolves substance residues and is not harmful to the gasket. This is usually sufficient to clean the Generator.

**Chemical sterilization** may be also a method. General-purpose disinfectants such as formalin, alcohol, etc. may be used. It is important to remove disinfectant residues with sterilized water.



**Important Note:**

*Make sure that the bearings, O-rings and gaskets are resistant to solvents.*

### **Sterilization with moist heat:**

This denotes the use of a steam jet pressurized to 2 bars at 120°C.

### 9.3 Rough Cleaning of Flow-Through-Chamber and Tubing

Flow-through-chamber and tubing might be roughly cleaned by pumping a suitable liquid through the chamber instead of the medium.

### 9.4 Cleaning the Inside of the Flow-Through-Chamber

Before cleaning please disconnect first drive unit from mains and detach the flow through chamber DK 30

The flow-through chamber can be disassembled without disconnecting the tubes. **Attention:** Rest liquid escapes!!!

Please take care that neither O-rings nor any other parts experience any damage during assembling respectively disassembling the flow-through chamber.

**Attention:** Before operation check the slip ring sealing. The slip ring should be easily turned by hand. If it is stuck after a long period without use just loosen slip ring by wetting it with water. Never operate the flow-through chamber if the slip ring is stuck!!

**Note:** Rotor and stator wrenches are listed in the price list under accessories. Always unscrew the rotor before the stator.

### 9.5 Cleaning of the Analytical Mill Attachment AX 60

Before cleaning please disconnect first drive unit from mains and detach the mill attachment AX 60.

Please take care that neither the o-ring nor any other parts experience any damage during assembling respectively disassembling the mill attachment.

Remove residues from the inside of the chamber. To avoid clogging, clean shaft, knife and the inside of the chambers after each use. This is done by operating the attachment using a solvent which dissolves substance residues and is not harmful to the gasket. This is usually sufficient to clean the attachment inside.

**Chemical sterilization** may be also a method. General-purpose disinfectants such as formalin, alcohol, etc. may be used. It is important to remove disinfectant residues with sterilized water.



**Important Note:**

*Make sure that the bearings, O-rings and gaskets are resistant to solvents.*

**Sterilization with moist heat:**

This denotes the use of a steam jet pressurized to 2 bars at 120°C.

### 9.6 Maintenance of drive units UNIDRIVE X1000/X1000D



**Attention:**

*Do not open the instrument. Repairs are only to be carried out by trained service technicians.*

## 9.7 Maintenance homogenizing tools



The Generators have sharp edges. Handle with care. Risk of injuries!

The gaskets in the homogenizing tools must be constantly monitored. In the event of leakage the suction effect of the rotating Shaft can cause the medium to penetrate as far as the drive unit. If liquid emerges from the side hole at the top of the Shaft tube stop work immediately and check the gaskets. The function of the Generators depends on the condition of the sharp edges on the rotor and stator. These edges may be blunted very quickly in abrasive media, reducing the effectiveness of homogenizing.

## 10 Dismantling, Transport and Storage

### 10.1 Dismantling

1. Switch the unit off.
2. Disconnect it from the mains supply.
3. Remove any glass beakers and any other equipment around the drive unit.
4. Remove the homogenizing tool by loosening the holding screw (6).
5. Loosen the special clamp and remove the clamp from the support rod.
6. Unscrew the support rod.
7. Now you may remove the instrument from the working area.

### 10.2 Transport and Storage

#### Prior to transport:

Switch the instrument off and proceed with dismantling as described under “Dismantling”.

Place the instrument and its parts in its original packaging or another suitable container to protect it during transport. Close the packaging with adhesive tape.

Store the instrument in a dry environment. Please observe the specified conditions of the ambient (temperature and humidity).

Do not subject the instrument to mechanical shocks or vibration during transporting it.

In case you do not use the original packaging please mark the box with the following notes:

- Glass symbol (handle with care, fragile)
- Umbrella (keep dry)
- Content (list of content)
- Storage ambient:
  - Max. ambient temperature : RT to +40°C
  - Max. humidity: 80%

## 11 Disposal



Please dispose of used instruments and defective components at your local recycling collection point. Prior to disposal, sort according to materials: Metal, glass, plastic, etc. Also be sure to dispose of the packing material in an environmental-friendly manner.

## 12 Warranty and Liability

The manufacturer agrees to either repair, or replace, at the manufacturer's discretion, any defects in materials or workmanship which develop within 24 months of the delivery of this product to the original user. In the event of replacement, the replacement unit will be guaranteed for the remainder of the original twenty-four (24) months period or ninety (90) days, whichever is longer.

If this product should require service, contact your local distributor or manufacturer for necessary instructions.

This guarantee will not apply if the defect or malfunction was caused by accident, neglect, unreasonable use or fitness for a particular purpose, which extend beyond the description and period set forth herein.

The manufacturer's sole obligation under this guarantee is limited to the repair or replacement of a defective product and the manufacturer shall not, in any event, be liable for any incidental or consequential damages of any kind, resulting from use or possession of the product.

### **Attention:**

The user has to determine, if the instrument is suitable for his specific application. If there are any further queries, contact your local dealer or the manufacturer direct.

## 13 Technical Data

### 13.1 Technical Data UNIDRIVE X1000/X1000D

Type: UNIDRIVE X1000	Specifications
Motor Power intake	1050 Watt
Motor Power output	650 Watt
Idle speed	4000 - 33000 rpm
Voltage	230V/50 Hz or 110V/60 Hz
Case dimensions	75x75x290 mm, WxDxH
Speed Display	-
Weight	2.1 kg
Permissible ambient temperature	5 - 40 °C
Permissible humidity	80 % RH

Type: UNIDRIVE X1000D	Specifications
Motor Power intake	1050 Watt
Motor Power output	650 Watt
Idle speed	4000 - 33000 rpm
Voltage	230V/50 Hz or 110V/60 Hz
Case dimensions	78x75 x 310 mm, WxDxH
Speed Display	Yes
Weight	2.2 kg
Permissible ambient temperature	5 - 40 °C
Permissible humidity	80 % RH

## 14 Repairs



*When returning instruments for repair that have come into contact with hazardous substances, please:*

*Fill in attached "Repair Return Form"*

*Provide precise information on the relevant medium*

*Take protective measures to ensure the safety of our receiving and maintenance personnel*

*Mark the package as appropriate for hazardous materials.*

## 14.1 Repair Return Form

### CONTACT/USER INFORMATION

Contact:	Phone No.
Fax No.	Email:
Billing:	Shipping:
Company	Company
Address	Address

### INSTRUMENT INFORMATION

Model	Serial No.	
Please describe all problems/malfunctions		
Operating Conditions (please fill in if applicable)		
Ambient Temp.	Humidity	Speed
Load	Volume	Viscosity
Temperature in °C	Sample Temperature	Operating Time
Sample Description*		

\*NOTE: If the instrument was exposed to hazardous material, it must be decontaminated BEFORE returning it to CAT and an MSDS for hazardous material must be included with the instrument.

### RETURN SHIPPING

UPS <input type="checkbox"/>	Air Parcel Post <input type="checkbox"/>	Collect** <input type="checkbox"/>	Other** <input type="checkbox"/>
------------------------------	------------------------------------------	------------------------------------	----------------------------------

\*\*Your account number is required for UPS collect respectively the address and contact of your preferred forwarder if you choose any other transport means.

### PACKAGING INSTRUCTIONS TO RETURN A CAT INSTRUMENT FOR REPAIR

- ✓ Remove all accessories (e.g. homogniser tools, stirring paddles) from the instrument
- ✓ Clean excess testing material off the instrument/accessory
- ✓ Include MSDS sheets for all hazardous materials used with this instrument
- ✓ Pack the instrument in its original box. If the box is not available, take care to wrap the instrument and accessories with enough material to support them.
- ✓ DO NOT send pedestal stand unless there is a problem with the upright rod, clamp or base. If there is a problem with the stand remove the upright rod from the base and individually wrap each item to avoid contact with the instrument. (Applicable for overhead stirrers and homogenisers.)
- ✓ Pack the instrument and related items in a strong box for shipping. Mark the outside of the box with handling instructions.

Example: "Handle with care" or "Fragile- Delicate Instrument"



**CAT**

*Ingenieurbüro  
M. Zipperer GmbH  
Etzenbach 16  
D-79219 Staufen*

## ***Bedienungsanleitung***

---

### ***Dispergiersystem UNIDRIVE X1000 und X1000D***



## 1 Allgemeine Information

Das CAT Dispergiergerät Unidrive X1000/Unidrive X1000D wurde gem. DIN EN 61010 gefertigt und geprüft. Das Gerät hat das Werk in sicherheitstechnisch einwandfreiem Zustand verlassen. Um diesen Zustand zu erhalten und einen gefahrlosen Betrieb sicherzustellen, muss der Anwender die Hinweise und Warnvermerke beachten, die in dieser Bedienungsanleitung enthalten sind.

## 2 Auspacken des Gerätes

Untersuchen Sie den Umkarton. Achten Sie auf Beschädigungen wie z.B. eingedrückte Wände chemische Beeinträchtigungen des Kartons, Wassermarken, oder andere physikalische Einflüsse, die den Inhalt beschädigt haben könnten. Bei Beschädigungen informieren Sie bitte sofort den Spediteur und fragen Sie nach den notwendigen Maßnahmen. Wenn es keine sichtbaren Beschädigungen des Umkartons gibt, dann öffnen Sie diesen vorsichtig.

### 2.1 Lieferumfang und Zubehör

Eine vollständige Sendung hat folgenden Umfang:

Typ	Beschreibung	Art.Nr.
X 1000	Dispergierantrieb, 230V	60402-50 oder
X 1000	Dispergierantrieb, 115V	60402-51 oder
X 1000D	Dispergierantrieb, 230V	60406-50 oder
X 1000D	Dispergierantrieb, 115V	60406-51 oder
	1 Haltestange	
	1 Bedienungsanleitung	

### 2.2 Dispergierwerkzeuge und Zubehör (separat zu bestellen):

Werkzeuge	Beschreibung	Art Nr.
T 6	Schaft, 6 mm Durchmesser, 55 mm lang, komplett mit Generator	60420*
T 6	Schaft, 6 mm Durchmesser, 120 mm lang, komplett mit Generator	60410*
T 10	Schaft, 10 mm Durchmesser komplett mit Generator	60421*
T 17	Schaft, 10 mm Durchmesser, komplett mit 17 mm Generator	60426*
T 20	Schaft, 20 mm Durchmesser komplett mit Generator	60422*
G 20	Schaft, 20 mm Durchmesser komplett mit Generator	60423*
T 30	Schaft, 20 mm Durchmesser komplett mit 30 mm Generator	60424*
G 30	Schaft, 20 mm Durchmesser komplett mit 30 mm Generator	60425*
DK 30	Durchflussskammer für Schaft G20 oder G30	60428-00

<b>Werkzeuge</b>	<b>Beschreibung</b>	<b>Art Nr.</b>
<b>AX 60</b>	Analysenmühle	60409-00
<b>Ersatzmesser</b>	Messer aus Edelstahl für AX 60	60478-00
<b>Ersatzmesser</b>	Messer aus Edelstahl mit Karboneinsatz für AX 60	60479-00
<b>Plattenstativ inkl. Stab</b>	Plattformabmessung: 330x200 mm, Stab-Durchmesser: 16mm, Länge:690mm	60491-00
<b>Kreuzklemme</b>	Halteklammer zur Befestigung am Stativ Material: Aluminiumguss	60492-00
<b>Kreuzklemme</b>	Halteklammer zur Befestigung am Stativ Material: Stahl	60492-50
<b>Universal- Schlüssel</b>	Universal-Rotor-Schlüssel für 6 - 30 mm	60470-00
<b>Steckschlüssel</b>	für alle Schäfte	60471-00
<b>Rotorschlüssel</b>	für Schaft T 10	60472-00

**Wichtiger Hinweis:**

Bitte lesen Sie die Bedienungsanleitung gründlich durch und stellen Sie sicher, dass Sie alles verstanden haben, bevor Sie das Gerät in Betrieb nehmen. Sollten Sie nach dem Durchlesen der Bedienungsanleitung noch weitere Fragen zu Installation, Betrieb oder Wartung haben, wenden Sie sich bitte an den Lieferanten oder den Hersteller des Gerätes unter folgender Adresse:

**CAT**

Ingenieurbüro CAT  
M. Zipperer GmbH  
Etzenbach 16  
D-79219 Staufen  
+49-7636-7803-0

**Wichtiger Hinweis:**

Diese Bedienungsanleitung sollte jederzeit zur Verfügung stehen, insbesondere demjenigen, der dieses Gerät nutzen möchte. Deshalb sollte diese Bedienungsanleitung in der Nähe des Gerätes aufbewahrt werden.

**Wichtiger Hinweis:**

Stellen Sie sicher, dass das Gerät nur gemäß den zulässigen Bedingungen beschrieben unter dem Punkt "Technische Daten" betrieben wird.



Die Geräte sind standardmäßig mit einem EURO-Stecker (DIN 49441 CEE 7/VII10/ 16 A 250 V) versehen. Für Nordamerika mit einem US-Norm Stecker (NEMA Pub.No.WDI1961 ASA C 73.1. 1961 page 8 15A 125V).



Falls Sie das Gerät in einem Land mit anderem Stecker-System betreiben möchten, müssen Sie einen zugelassenen Adapter verwenden oder der mitgelieferte Stecker muss durch einen Fachmann ausgewechselt und durch einen für dieses Netz passenden und zugelassenen Stecker ersetzt werden.



Bei Lieferung ist das Gerät geerdet. Beim Auswechseln des Originalsteckers achten Sie bitte unbedingt darauf, dass Schutzleiter am neuen Stecker angeschlossen wird!

### 3 Sicherheitshinweise

#### 3.1 Erläuterung der Sicherheitshinweise in der Bedienungsanleitung



*Dieses Symbol hebt folgende Hinweise hervor, welche durch den Anwender unbedingt beachtet werden müssen! Jegliche Missachtung der nebenstehenden Hinweise, kann die sichere Funktion wie die Sicherheit des Anwenders selbst beeinträchtigen.*



*Dieses Symbol hebt Verbote hervor, welche durch den Anwender unbedingt beachtet werden müssen! Jegliche Missachtung der nebenstehenden Verbote, kann die Funktionstüchtigkeit, sowie die Sicherheit des Anwenders erheblich beeinträchtigen.*



*Dieses Symbol hebt Hinweise hervor, welche durch den Anwender unbedingt beachtet werden sollten um einen sicheren Betrieb des Gerätes gewährleisten zu können.*



**Achtung**  
*Brand- oder Explosionsgefahr!*

#### 3.2 Erläuterung der Sicherheitshinweise auf dem Gerät



**Warnung vor allg. Gefahren:** *Dieses Symbol weist darauf hin, dass die Betriebsanleitung unbedingt vor Inbetriebnahme des Gerätes vollständig gelesen und verstanden werden sollte. Eine unsachgemäße Handhabung kann den sicheren Betrieb des Gerätes und die Gesundheit des Anwenders gefährden.*

#### 3.3 Allgemeine Sicherheitshinweise



**Achtung:**  
*Beachten Sie alle im Labor geltenden Sicherheits- und Unfallverhütungsvorschriften!*



**Achtung:**  
*Verwenden Sie dieses Gerät nicht in unsicherer Umgebung und speziell nicht in explosionsgefährdender Umgebung. Lebensgefahr!*



**Achtung:**  
*Ausschließlich unterwiesene Anwender dürfen das Gerät in Betrieb nehmen.*



**Achtung:**  
*Achten Sie vor der Verbindung des Gerätes mit dem Stromnetz darauf, dass die Netzspannung mit den Angaben auf dem Typenschild übereinstimmt.*



**Achtung:**  
*Äußerste Vorsicht beim Umgang mit leicht entzündlichen Medien. Beachten Sie die Sicherheitsdatenblätter. Das Gerät ist nicht explosionsgeschützt!*



*Der Hauptschalter trennt das Gerät nicht vollständig von der Stromquelle. Um das Gerät vollständig vom Netz/der Stromversorgung zu trennen, ziehen Sie bitte den Netzstecker.*

**Hinweis:**

Stellen Sie sicher, dass alle Sicherheitshinweise des Gerätes bzw. auf dem Gerät selbst, während des Betriebs deutlich zu sehen sind.

**Achtung:**

Öffnen Sie das Gerät nicht. Reparaturen sind eingewiesenen Service-Technikern vorbehalten.



Bitte schließen Sie das Gerät nur an eine geerdete Steckdose an.



Bitte achten Sie auf sichere Befestigung des Gerätes.

**Attention:**

Wird der Lautstärkenpegel von 85 dB (A) überschritten, muss der Anwender Ohrschützer verwenden.



Tragen Sie einen Gehörschutz beim Überschreiten des Geräuschpegels von 85dB(A).



Schützen Sie während des Arbeitens Ihrer Augen mit einer geeigneten Schutzbrille.



Stellen Sie sicher, dass das Gerät an einem Stativ befestigt ist!

## 4 Aufbau und Betrieb

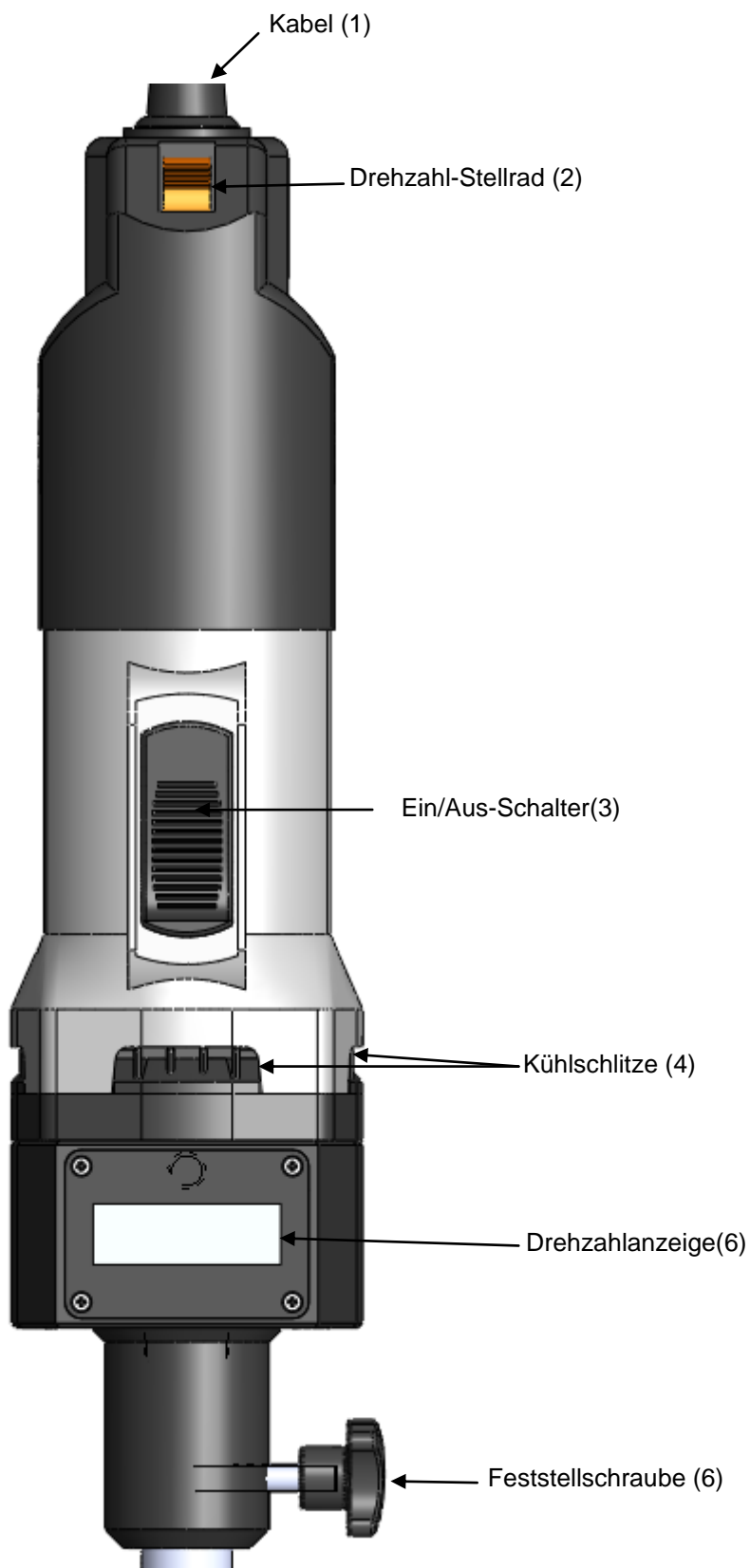
### 4.1 Zweckbestimmung

Der Dispergierantrieb UNIDRIVE X1000/X1000D und geeignete von uns empfohlene Dispergierwerkzeuge bilden ein System zum Bearbeiten von fließfähigen bzw. flüssigen Medien im Chargenbetrieb. Das System wird zum Dispergieren sowie Emulgieren verwendet.

Verwendungsgebiete sind Laboratorien sowie Bildungseinrichtungen.

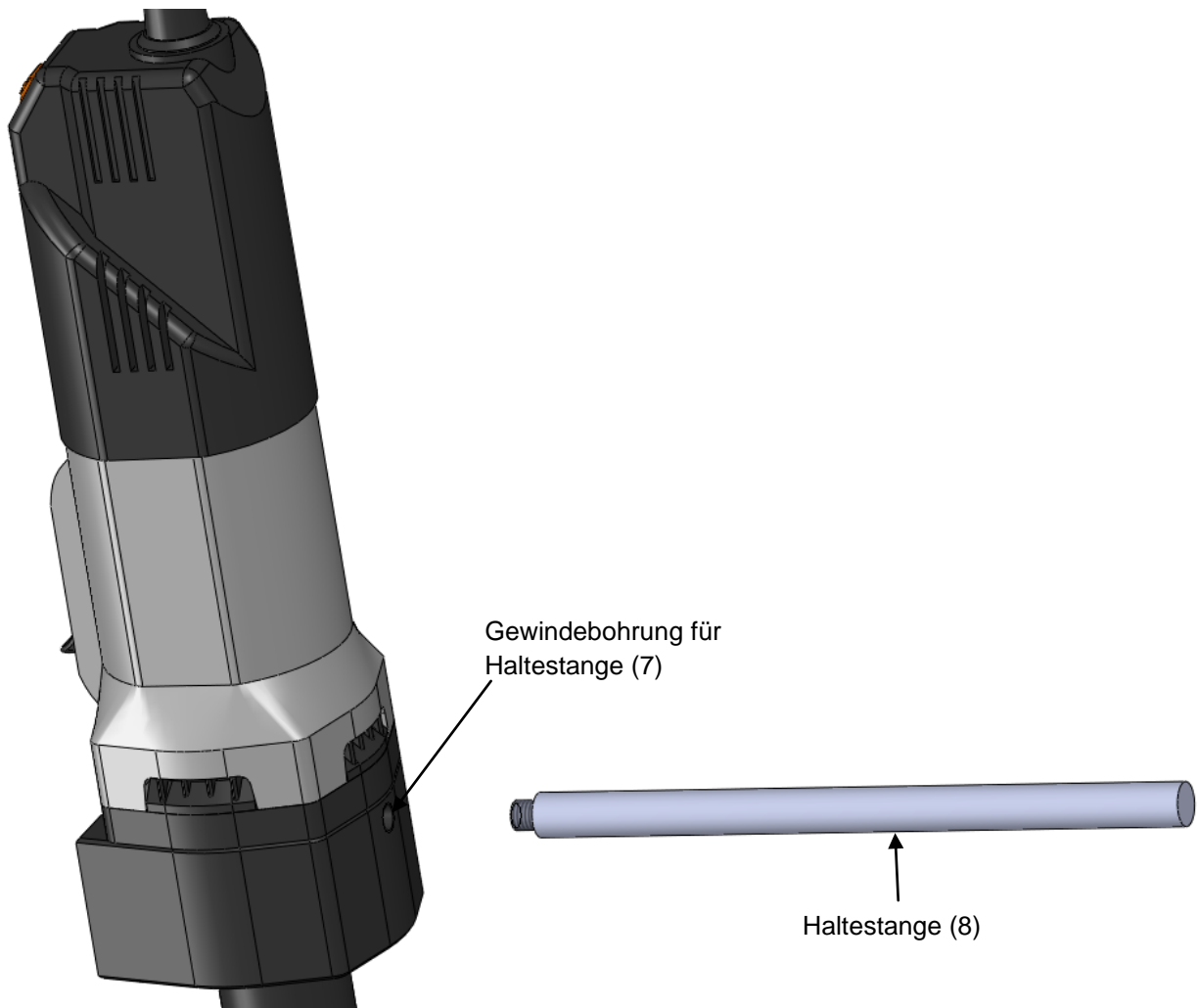
Für einen sicheren Betrieb muss das System an einem geeigneten Stativ befestigt werden.

## 4.2 Beschreibung des Antriebs UNIDRIVE X1000/X1000D



## 4.3 Aufbau

### 4.3.1 Montage der Haltestange



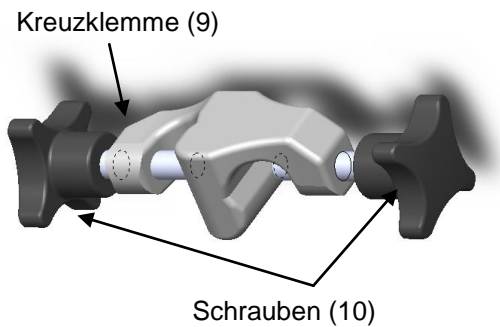
- Schrauben Sie die Haltestange (8) in die Gewindebohrung (7) auf der Rückseite des Gerätes.
- Stecken Sie einen geeigneten Schraubendreher in die Bohrung am Ende der Haltestange drehen Sie nach rechts und ziehen somit die Haltestange fest.



#### 4.3.2 Befestigen des Antriebs am Stativ

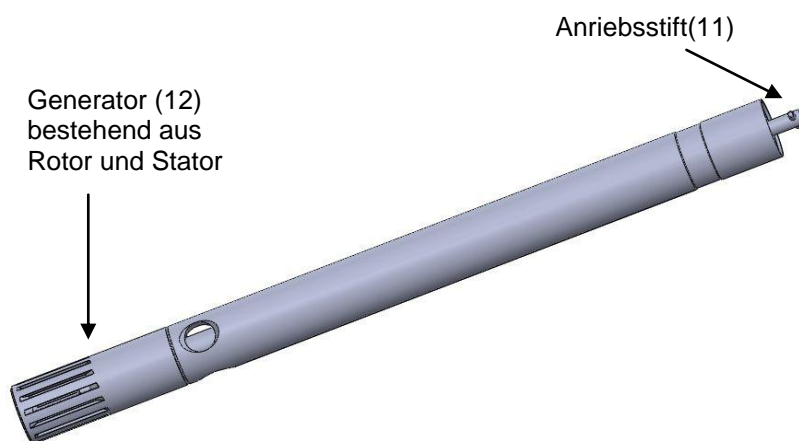


Um einen sicheren Betrieb zu gewährleisten, muss der Antrieb mit Hilfe einer Kreuzklemme (9) am Stativ befestigt werden. Vibrationen können dazu führen, dass sich die Schrauben (10) an der Klammer lösen. Überprüfen Sie regelmäßig vor jedem Gebrauch, ob die Schrauben der Kreuzklemme noch fest angezogen sind.



- Befestigen Sie die Kreuzklemme (9) am Stativstab.
- Jetzt befestigen Sie den Antrieb am Stativ indem Sie die Haltestange (8) in die freie Öffnung der Kreuzklemme (9) schieben.
- Drehen Sie die Schrauben (10) der Kreuzklemme (9) fest zu.

#### 4.4 Beschreibung eines Dispergierwerkzeugs

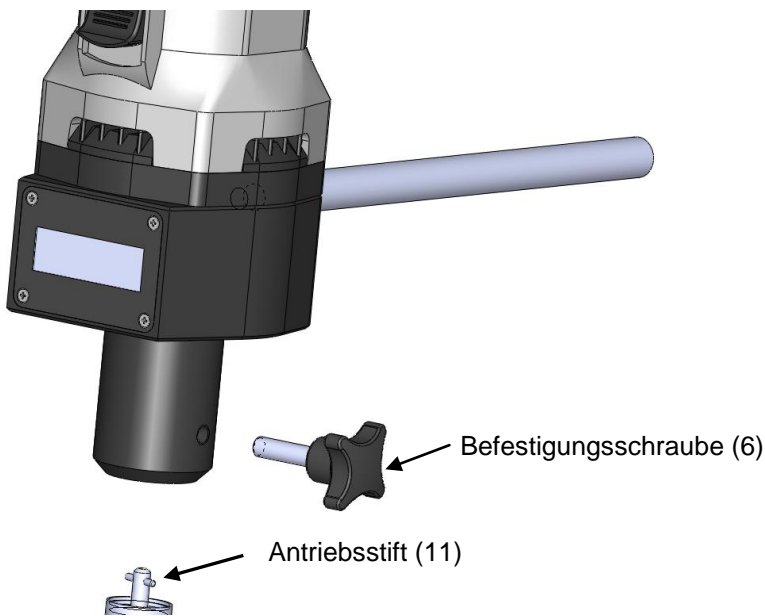


#### 4.4.1 Anbringen des Dispergierwerkzeugs



*Die Generatoren haben scharfe Kanten. Verletzungsgefahr!*

Dispergierwerkzeuge werden immer zusammengebaut angeliefert. Der Antriebsstift (11) befindet sich am oberen Ende des Schaftes. Er dient zur Verbindung des Schaftes mit dem Antrieb. Führen Sie den Schaft in die Kupplung des Antriebs ein. Jetzt drehen Sie den Schaft etwas hin und her bis Sie den Antriebsstift im Kupplungsstück einrasten hören. Befestigen Sie jetzt den Schaft mit der Befestigungsschraube (6).



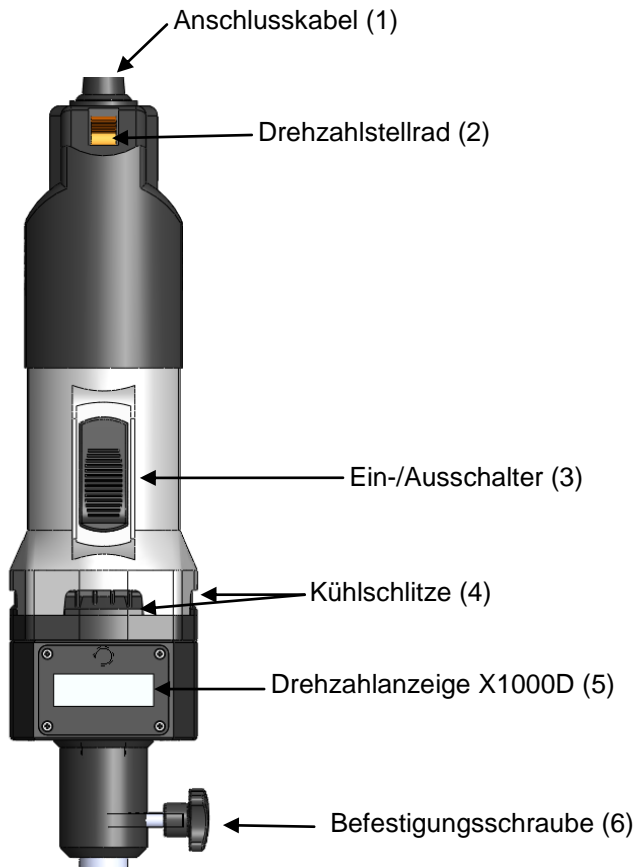
***Lassen Sie das Dispergierwerkzeug nie trocken laufen! Das zu bearbeitende Medium dient gleichzeitig auch zur Kühlung der Lager und Dichtungen. Hierdurch wird eine Beschädigung des Werkzeugs vermieden. Der Abstand zwischen Dispergierwerkzeug und Gefäßboden darf nicht weniger als 10mm betragen. Der Flüssigkeitsstand sollte mindestens 55 mm betragen. Um einen Vortex zu vermeiden muss das Dispergierwerkzeug außer-mittig ins Gefäß eingetaucht werden. Sind alle diese Voraussetzungen erfüllt ist das System betriebsbereit.***

## 4.5 Betrieb UNIDRIVE X1000/X1000D



### **Achtung:**

*Achten Sie vor der Verbindung des Gerätes mit dem Stromnetz darauf, dass die Netzspannung mit den Angaben auf dem Typenschild übereinstimmt.*



#### 4.5.1 Anschließen des Gerätes ans Stromnetz

Wenn das System komplett zusammengebaut und am Stativ befestigt ist, stecken Sie den Stecker in eine geeignete Steckdose.

Das Gerät wird mit dem Ein-/Ausshalter (3) vorne am Gehäuse gestartet.

Position I: Motor läuft

Position 0: Motor aus

Stellen Sie die Drehzahl am Drehzahlsteller (2) ein. Starten Sie immer mit der Mindestdrehzahl und erhöhen Sie diese langsam bis zur gewünschten Einstellung.



**Achtung:**

*Der Ein-/Ausshalter (3) ist nur einpolig und trennt das Gerät nicht vollständig vom Netz. Zur vollständigen Trennung vom Netz, Stecker ziehen!*



*Bevor Sie das Gerät einschalten stellen Sie sicher dass:*

- die Mindestdrehzahl eingestellt ist
- der Generator (12) des Dispergierwerkzeugs in der Flüssigkeit eingetaucht ist. Um einen Vortex zu vermeiden, tauchen Sie den Schaft außer-mittig ein
- das Gefäß gegen Eigendrehung, Schütteln und Wandern gesichert ist.
- Die Kühlschlitze nicht abgedeckt sind, da hiermit der Antrieb gekühlt wird.

#### 4.5.2 Beschreibung der Stellradzahlen des X1000 und X1000D:

1	=	4000 1/min
2	=	8500 1/min
3	=	15000 1/min
4	=	20000 1/min
5	=	25000 1/min
6	=	33000 1/min

Die eingestellte Drehzahl des UNIDRIVE X1000D kann auf der Drehzahlanzeige (5) abgelesen werden.

#### 4.6 Austausch der Dispergierwerkzeuge



*Achtung die Generatoren haben scharfe Kanten. Verletzungsgefahr!*

- Bevor Sie das Dispergierwerkzeug wechseln, schalten Sie das Gerät aus und trennen es vom Netz, indem Sie den Stecker ziehen.
- Befestigungsschraube (6) lösen und Schaft mit der Hand aus der Kupplung ziehen.
- Führen Sie den neuen Schaft in die Kupplung des Antriebs ein. Jetzt drehen Sie den Schaft etwas hin und her bis Sie den Antriebsstift im Kupplungsstück einrasten hören.
- Befestigen Sie jetzt den Schaft mit der Befestigungsschraube (6).

#### 4.6.1 Austausch des Generators



*Die Generatoren haben scharfe Kanten. Achtung: Verletzungsgefahr!*

Um den Generator auszutauschen (Rotor und Stator), entfernen Sie den Schaft aus dem Antrieb wie unter Punkt 4.6 beschrieben.

Den Rotor lösen Sie mit Hilfe der zwei Spezialschlüssel (separat zu bestellen). Der Steckschlüssel dient zum Gegenhalten des Schaftes, der Rotorschlüssel zum Lösen bzw. Anziehen.

- Stecken Sie den Rotorschlüssel in den Rotor und den Antriebsstift in den Steckschlüssel.
- Drehen Sie den Rotorschlüssel nach links, um den Rotor zu lösen.
- Danach kann der Stator von Hand durch Drehen nach **rechts** gelöst werden (Achtung: Linksgewinde!)



#### **Wichtiger Hinweis**

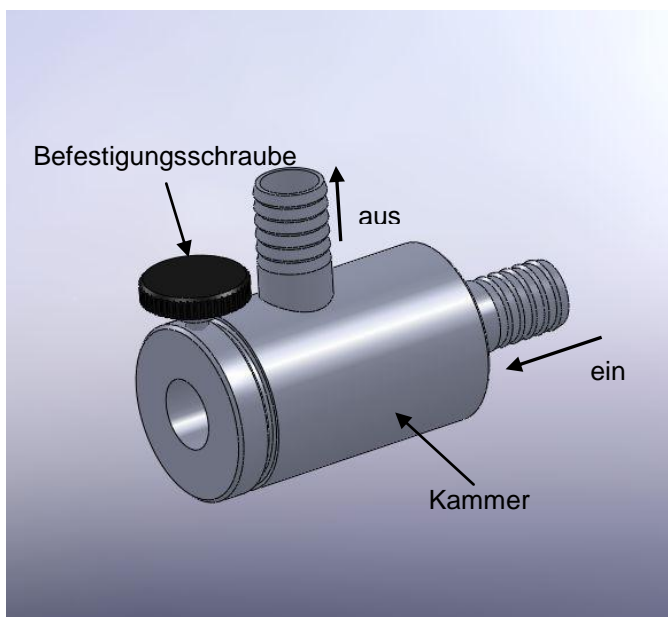
*Lösen Sie den Rotor immer zuerst bevor der Stator abgeschraubt wird.*

## 5 Montage der DK 30 Durchflusskammer

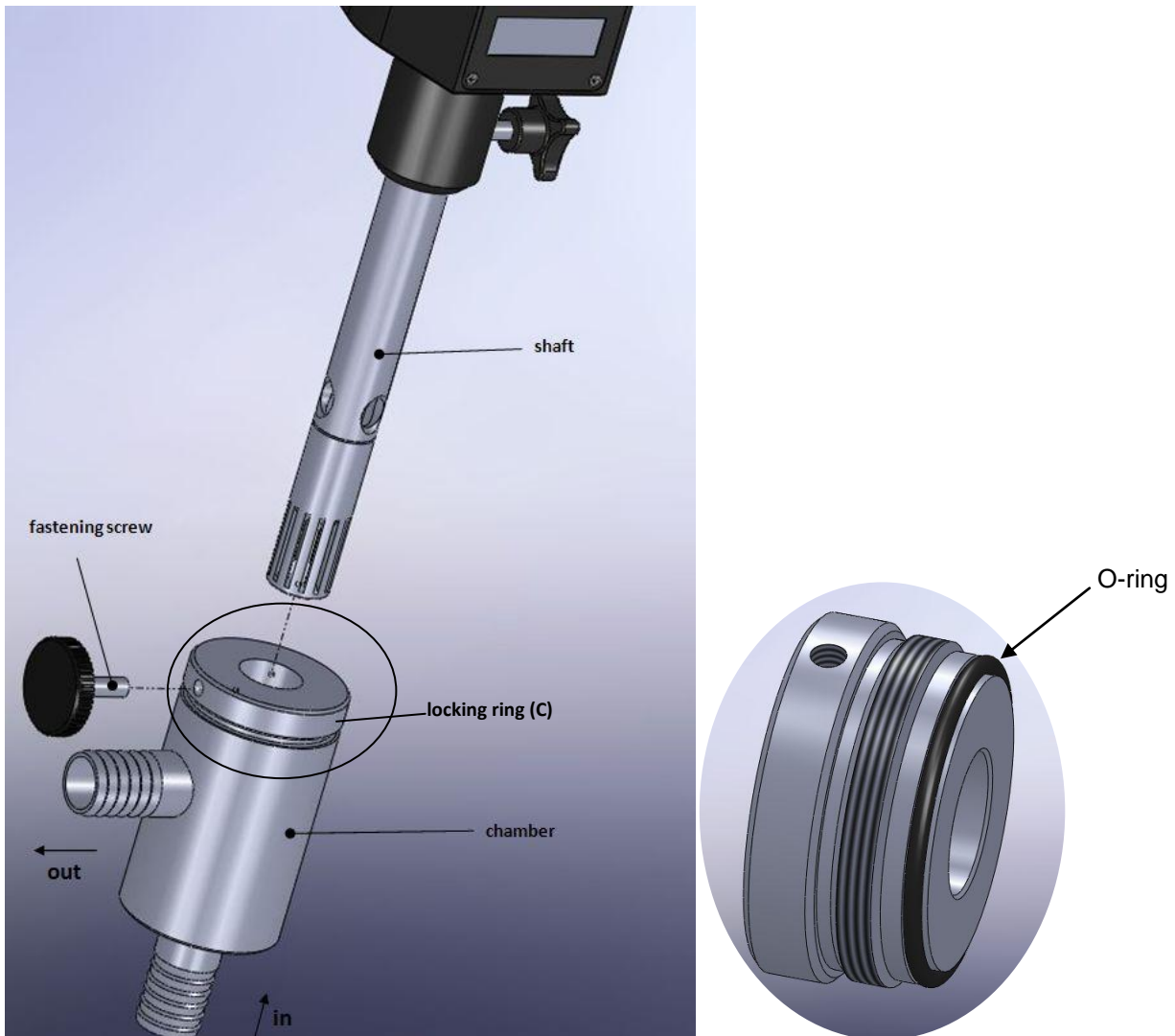
### 5.1 Beschreibung der DK 30 Durchflusskammer

Die Durchflusskammer DK30 zusammen mit Schaft G20 oder G30 ermöglicht es im Durchflussverfahren zu dispergieren.

Die erzielten Ergebnisse gleichen dem Verfahren im Chargenbetrieb.



## 5.2 Befestigung der Durchflusskammer am Antrieb UNIDRIVE X1000/X1000D



Achten Sie darauf, dass während der Montage keine Teile beschädigt werden.

Mit der Durchflusskammer DK 30 können nur die Schäfte G20 oder G30 verwendet werden! Es sind verschiedene Generatoren (F, N, V und M) für die Schäfte G20 und G30 erhältlich.

- Feststellring (C) entfernen, Sie sehen jetzt eine Druckscheibe und einen O-Ring.
- Entfernen Sie Druckscheibe und O-Ring
- Bringen Sie den O-Ring, Druckscheibe und Feststellring (C) am Schaft G20 oder G30 an
- Stellen Sie sicher, dass O-Ring und Druckscheibe an der richtigen Stelle sind.
- Generator in die Durchflusskammer einführen
- O-Ring, Druckscheibe und Feststellring vorsichtig herunter schieben.
- Schrauben Sie den Feststellring komplett ein, damit eine vollständige Dichtung der Kammer gewährleistet ist.
- Schieben Sie den Schaft bis zum Ende der Kammer
- Sichern Sie den Schaft mit der Befestigungsschraube des Dispergierantriebs (6). Der Einlaufschlauch am Einlass-Stutzen an der Vorderseite der Kammer wird am System angeschlossen, das Medium wird über den seitlichen Auslass der Kammer in einen Behälter gepumpt. Es ist ebenfalls möglich im Kreis zu pumpen (In-line-Verfahren).

## 6 Betrieb der Durchflusskammer

### 6.1 Durchfluss-Verfahren

Verbinden Sie den Behälter der das zu bearbeitende Medium enthält über einen Schlauch mit Innendurchmesser 20 mm mit dem Einlass der Kammer. Schließen Sie einen weiteren Schlauch mit Innendurchmesser 20 mm an den Auslass der Kammer an und führen Sie den Schlauch in einen Sammelbehälter.

**Hinweis:** Sichern Sie alle Schlauchanschlüsse mit geeigneten Klammern.

### 6.2 Umlaufverfahren

Schließen Sie geeignete Schläuche wie unter Punkt 6.1 beschrieben an Ein- und Auslass der Kammer an. Führen Sie den Auslassschlauch in den Ausgangsbehälter.

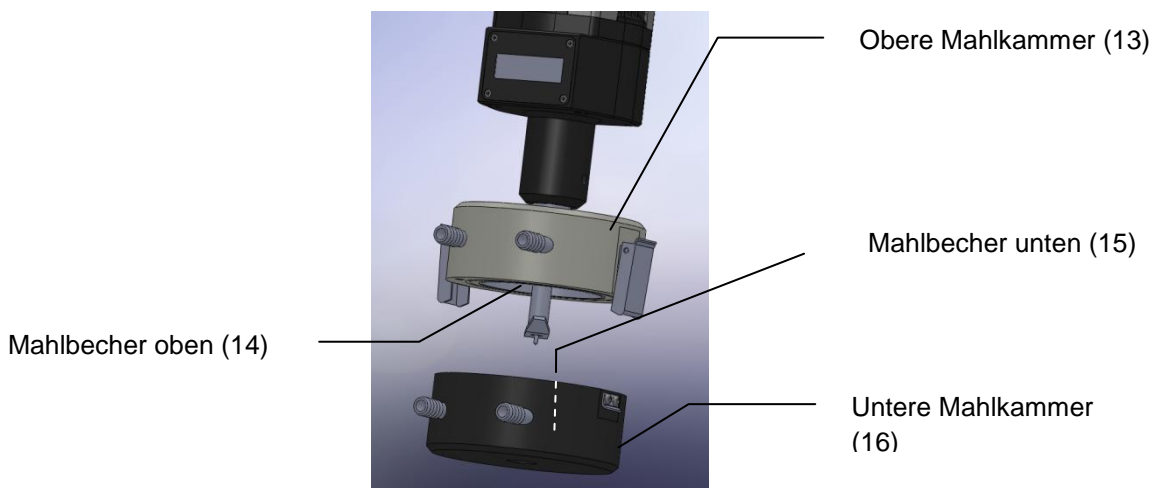
Auf diese Weise fließt das Medium mehrfach durch das System = Umlaufverfahren.

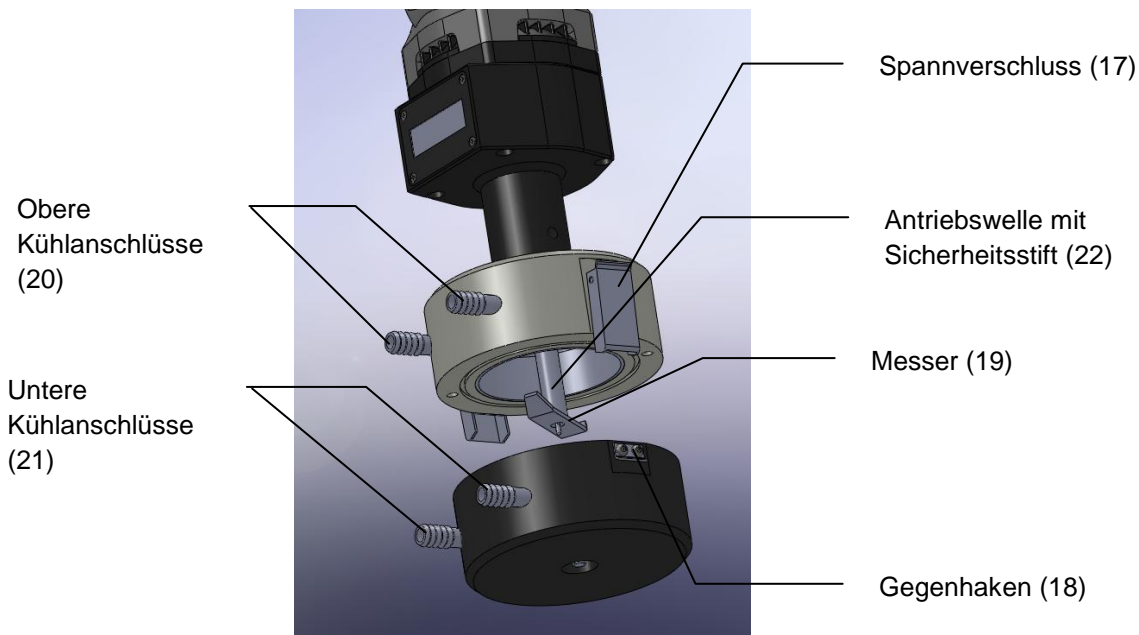
**Hinweis:** Die Durchlaufkammer ist nicht selbstansaugend. Zulaufleitung und Durchlaufkammer müssen vor Inbetriebnahme mit dem Medium gefüllt sein. Es wird daher empfohlen, Durchlaufkammer und Ausgangsbehälter auf gleicher Höhe anzuordnen und zusätzlich eine Absperrmöglichkeit (z.B. Kugelhahn) in die Verbindungsleitung einzubauen.

## 7 Analysenmühle AX 60

### 7.1 Beschreibung der Analysenmühle AX 60

Zur Analyse, Werkstoffprüfung und Qualitätskontrolle von organischen und anorganischen Stoffen unterschiedlicher Härte. Die Mahlkammer besteht aus zwei Edelstahlbechern, die beide mit je 2 Kühlanlässen ausgestattet sind. Der Gesamtvolumen der Mahlkammer beträgt 180 cm<sup>3</sup>. Beide Mahlkammern werden in geschlossenem Zustand durch einen O-Ring abgedichtet um das Eindringen von Staub so wie Probenverluste zu verhindern. Diese Analysenmühle wurde speziell dafür entwickelt auch mit Kühlmitteln wie N<sub>2</sub> anzuwenden – oder Material zu zerkleinern und analysieren, welches am besten tiefgekühlt bearbeitet werden kann. Die komplette Mahlkammer wird mit einer mechanischen Kupplung am Antrieb UNIDRIVE X1000 bzw. UNIDRIVE X1000 D befestigt. Die Drehzahlregelung dieser Antriebe sorgt für einen sanften Anlauf bei niedriger Drehzahl. Extrem schneller Materialaufschluss wird durch die sehr hohe Drehzahl dieser Antriebe gewährleistet. Wird die Mahlkammer geöffnet, entkuppelt sich der Mahlschaft automatisch. Dies verhindert unbeabsichtigtes Laufen des Messers solange die Kammer nicht geschlossen ist.





## 8 Befestigen der Analysenmühle AX 60

- Bevor Sie das Dispergierwerkzeug wechseln bzw. die Analysenmühle befestigen, schalten Sie das Gerät aus und trennen es vom Netz, indem Sie den Stecker ziehen.
- Befestigungsschraube (6) lösen und Werkzeug mit der Hand aus der Kupplung ziehen.
- Führen Sie jetzt die Antriebswelle der Analysenmühle AX 60 in die Kupplung des Antriebs ein. Drehen Sie die Mühle etwas hin und her bis Sie den Antriebsstift im Kupplungsstück einrasten hören.
- Befestigen Sie jetzt die Mühle mit der Befestigungsschraube (6).
- Starten Sie den Antrieb mit der niedrigsten Drehzahl (4000 1/min)



### **Wichtiger Hinweis:**

*Die Analysenmühle ist mit 4 Kühlschlüssen ausgestattet. Bei Verwendung von N<sub>2</sub> oder anderen Tiefkühlmitteln achten Sie bitte darauf, dass die Lager und das Messer nicht einfrieren. Dies kann durch Kondenswasser vorkommen.*



## 8.1 Austausch des Messers



**Achtung:**

*Die Messer haben scharfe Schneideflächen und Kanten. Verletzungsgefahr!*

- Bevor Sie das Messer austauschen, schalten Sie das Gerät aus und trennen es vom Netz, indem Sie den Stecker ziehen.
- Lösen Sie die Befestigungsschraube (6) und entfernen Sie die Analysenmühle mit der Hand aus dem Antrieb.
- Um das Messer(19) zu lösen benutzen Sie den Steckschlüssel. Dieser dient zum Gegenhalten des Antriebsschaftes (22) der Mühle.
- Stecken den Antriebsstift in den Steckschlüssel.
- Drehen Sie das Messer nach links, um es zu lösen.
- Schrauben Sie nun das Ersatzmesser fest.
- Schließen Sie die Analysenmühle und befestigen Sie diese mit der Befestigungsschraube (6) in der Kupplung des Antriebs.

## 9 Reinigung und Wartung

### 9.1 Reinigung des Antriebs UNIDRIVE X1000/X1000D

Zur Reinigung des Antriebs verwenden Sie bitte nur Wasser und ein geeignetes Reinigungsmittel (z.B. Geschirrspülmittel) oder benutzen Sie Isopropylalkohol um hartnäckige Verschmutzungen zu entfernen.

### 9.2 Reinigen des Dispergierwerkzeugs



*Die Generatoren haben scharfe Kanten. Vorsicht! Verletzungsgefahr.*

Um ein Verstopfen zu vermeiden, reinigen Sie Schaft, Generator und bei Verwendung eines G-Schafts die Dichtungsteile nach jedem Gebrauch. Hierzu tauchen Sie den Schaft in ein geeignetes Lösungsmittel, welches das Werkzeug von Rückständen befreit und das die Dichtungen nicht angreift.

Dies ist normalerweise ausreichend um den Generator zu reinigen.

**Chemische Sterilisation** kann zur Reinigung ebenfalls angewendet werden. Allgemein gebräuchliche Desinfektionsmittel wie z.B. Alkohol können hierzu verwendet werden. Wichtig: Entfernen Sie Desinfektionsmittel-Rückstände mit sterilisiertem Wasser.



**Wichtiger Hinweis:**

*Stellen Sie sicher, dass Lager, O-Ringe und Dichtungen chemisch-beständig zu den verwendeten Lösungsmitteln sind.*

### **Dampfsterilisation:**

Benutzen Sie hierzu einen Dampfstrahl mit 2 bar Druck bei 120°C.

### 9.3 Vorreinigung der Durchflussskammer und den Schläuchen

Durchflussskammer und Schläuche können durch pumpen einer geeigneten Flüssigkeit vorgereinigt werden.

### 9.4 Reinigung des Kammerinnenraums

Vor der Reinigung entfernen Sie die Durchlaufkammer DK 30 vom Dispergiersystem.

Die Durchlaufkammer kann vom Dispergiersystem entfernt werden ohne dass vorher die Schläuche abgenommen werden. **Achtung:** Restflüssigkeit kann ausfließen.

Bitte achten Sie darauf, dass keine Teile während der Montage beschädigt werden.

**Achtung:** Überprüfen Sie vor Gebrauch die Gleitringdichtung. Die Dichtung sollte sich leicht von Hand drehen lassen. Sitzt diese fest, lösen Sie diese, indem Sie sie mit Wasser befeuchten. Betreiben Sie die Durchflussskammer nicht wenn die Gleitringdichtung des Schaftes fest sitzt.

**Hinweis:** Rotor- und Steckschlüssel sind als Zubehör in der Preisliste aufgeführt.

### 9.5 Reinigung der Analysenmühle

Vor der Reinigung entfernen Sie die Analysenmühle AX60 vom Dispergiersystem. Bitte achten Sie darauf, dass keine Teile während der Montage beschädigt werden.

Entfernen Sie grobe Verschmutzungen aus den Mahlbechern.

Reinigen Sie die Analysenmühle nach jedem Gebrauch. Hierzu befüllen Sie diese mit einem geeigneten Lösungsmittel, welches das Werkzeug von Rückständen befreit und das die Dichtungen nicht angreift.

Dies ist normalerweise ausreichend um die Analysenmühle zu reinigen. Generator zu reinigen.

**Chemische Sterilisation** kann zur Reinigung ebenfalls angewendet werden. Allgemein gebräuchliche Desinfektionsmittel wie z.B. Alkohol können hierzu verwendet werden. Wichtig: Entfernen Sie Desinfektionsmittel-Rückstände mit sterilisiertem Wasser.



**Wichtiger Hinweis:**

*Stellen Sie sicher, dass Lager, O-Ringe und Dichtungen chemisch-beständig zu den verwendeten Lösungsmitteln sind.*

**Dampfsterilisation:**

Benutzen Sie hierzu einen Dampfstrahl mit 2 bar Druck bei 120°C.

### 9.6 Wartung des Antriebs UNIDRIVE X1000/X1000D



**Achtung:**

*Öffnen Sie das Gerät nicht. Reparaturen dürfen nur von einem ausgebildeten Fachmann durchgeführt werden.*

## 9.7 Wartung der Dispergierwerkzeuge



*Die Generatoren haben scharfe Kanten. Achtung! Verletzungsgefahr!*

Die Dichtungen der Dispergierwerkzeuge müssen ständig überwacht werden. Bei Leckage kann der Ansaugeneffekt des rotierenden Schaftes bewirken, dass Flüssigkeit bis in den Antrieb gelangt. Wenn Flüssigkeit aus den Seitenlöchern am oberen Ende des Schafts austritt, stoppen Sie den Betrieb sofort und überprüfen Sie die Dichtungen. Die Funktion des Generators hängt von dem Zustand der Zähne des Generators ab. Diese Zähne können beim Bearbeiten von abrasiven Medien sehr schnell verschleifen. Dies vermindert die Effektivität des Vorgangs.

## 10 Abbau, Transport und Lagerung

### 10.1 Abbau

1. Schalten Sie das Gerät aus.
2. Ziehen Sie den Netzstecker.
3. Entfernen Sie sämtliche Behälter und Gegenstände um das Gerät herum.
4. Entfernen Sie das Dispergierwerkzeug aus dem Antrieb.
5. Lösen Sie die Schraube der Kreuzklemme und nehmen den Antrieb vom Stativ.
6. Entfernen Sie die Kreuzklemme von der Haltestange.
7. Schrauben Sie die Haltestange heraus.
8. Jetzt können Sie das Gerät aus der Arbeitsumgebung entfernen.

### 10.2 Transport und Lagerung

#### Vor dem Transport:

- Schalten Sie das Gerät aus und gehen Sie wie unter Punkt 8.1 beschrieben vor.
- Verpacken Sie Gerät und Zubehör in den Originalkarton oder einen anderen geeigneten Karton, um das Gerät während des Transports zu schützen.
- Verschließen Sie den Karton mit Klebeband.

Lagern Sie das Gerät in einer trockenen Umgebung. Beachten Sie bitte die angegebenen Umgebungsbedingungen wie Temperatur und Luftfeuchtigkeit.

Setzen Sie das Gerät keinen mechanischen Erschütterungen oder Vibrationen während des Transports aus.

Sollte der Originalkarton nicht mehr zur Verfügung sein markieren Sie die Verpackung wie folgt:

- Glassymbol (Vorsicht zerbrechlich)
- Regenschirm (trocken aufbewahren)
- Inhalt (Aufstellung des Inhalts)
- Umgebungsbedingung:
  - Max. Umgebungstemperatur : RT bis +40°C
  - Max. Feuchtigkeit: 80%

## 11 Entsorgung



Schadhafte und/oder entsorgte elektrische oder elektronische Geräte müssen an den dafür vorgesehenen Recycling-Stellen abgegeben werden.  
Auch das Verpackungsmaterial sollte umweltgerecht (Materialtrennung) entsorgt werden.

## 12 Garantie und Haftungsausschluss

Der Hersteller verpflichtet sich dem Käufer gegenüber dieses Produkt entweder durch Reparatur oder nach Wahl des Herstellers durch Austausch jeden Fehler in Material oder Verarbeitung zu beheben, der sich innerhalb von 24 Monaten nach Auslieferung dieses Produktes herausstellt. Für den Fall des Austausches wird die Garantie weiterhin bis zum Ende der 24monatigen Laufzeit ab Kaufdatum laufen.

Für allfälligen Kundendienst ist der Händler oder der Hersteller einzuschalten.

Diese Garantie wird nicht gewährt, wenn der Defekt oder die Fehlfunktion verursacht wird durch Unfall, Nachlässigkeit, unsachgemäßen Gebrauch, unsachgemäßen Service und andere Gründe, die nicht auf fehlerhafte Materialien oder Verarbeitung zurückzuführen sind.

Sämtliche Garantie- und Gewährleistungsansprüche sind beschränkt auf die fachgerechte und sachgemäße Anwendung des Gerätes unter Beachtung der allgemeinen Sicherheitsvorschriften und dieser Bedienungsanleitung. Der Hersteller ist zu keinerlei anderen Leistungen als den in dieser Garantieerklärung enthaltenen verpflichtet. Insbesondere sind Personen- und Sachschäden, die als Folge von fehlerhaften Teilen oder sonstigen Funktionsfehlern auftreten, von der Haftung ausgeschlossen.

Die Verpflichtung des Herstellers ist im Umfang begrenzt auf die Reparatur oder den Austausch von fehlerhaften Teilen. Der Hersteller ist unter keinen Umständen zu Schadensersatz verpflichtet für Folgeschäden jeder Art, die aus der Verwendung und dem Besitz dieses Produktes sich ergeben können.

## 13 Technische Daten

Type: UNIDRIVE X1000	Spezifikationen
Motor Leistungsaufnahme	1050 Watt
Motor Leistungsabgabe	650 Watt
Leerlauf	4000 - 33000 1/min
Netzspannung	230V/50 Hz oder 110V/60 Hz
Abmessungen	75x75x290 mm, BxTxH
Drehzahlanzeige	-
Gewicht	2.1 kg
Zulässige Umgebungstemperatur	5 - 40 °C
Zulässige Luftfeuchtigkeit	80 % RH

Type: UNIDRIVE X1000D	Spezifikationen
Motor Leistungsaufnahme	1050 Watt
Motor Leistungsabgabe	650 Watt
Leerlauf	4000 - 33000 rpm
Netzspannung	230V/50 Hz oder 110V/60 Hz
Abmessungen	78x75 x 310 mm, BxTxH
Drehzahlanzeige	Yes
Gewicht	2.2 kg
Zulässige Umgebungstemperatur	5 - 40 °C
Zulässige Luftfeuchtigkeit	80 % RH

## 14 Reparaturen



*Bitte sorgen Sie bei der Anlieferung von Reparaturgeräten, die mit gefährlichen Arbeitsstoffen in Berührung gekommen sind dafür:*

- *Möglichst genaue Stoffangabe des Mediums*
- *Schutzmaßnahmen zum sicheren Umgang für unser Annahme- und Wartungspersonal*
- *Kennzeichnung der Verpackung gemäß der Gefahrenstoffverordnung*

## 14.1 Rücksendeformular

<b>Wichtig:</b> <ol style="list-style-type: none"> <li>1. Kalibrieren des Instruments wird automatisch durchgeführt.</li> <li>2. Sie erhalten einen Kostenvoranschlag für die zu erwartenden Reparaturkosten.</li> <li>3. Reparaturen werden bei Freigabe durchgeführt.</li> </ol>
------------------------------------------------------------------------------------------------------------------------------------------------------------------------------------------------------------------------------------------------------------------------------------

<b>KONTAKT</b>	
Ansprechpartner:	Tel.
Fax Nr.	Email:
Rechnungsanschrift:	Lieferanschrift:
Firma	Firma
Adresse	Adresse

<b>GERÄTEINFORMATION</b>		
Modell	Serien- Nr.	
Problem-/Fehlerbeschreibung		
Betriebsbedingungen (bitte ausfüllen, wenn zutreffend)		
Umgebungstemp.	Rel. Feuchtigkeit	Drehzahl
Zuladegewicht	Volumen	Viskosität
Temperatur in °C	Probentemperatur	Laufzeit
Probenbeschreibung*		

\*HINWEIS: Sollte das Gerät mit gefährlichen Stoffen in Berührung gekommen sein, muss es vor dem Versand an CAT dekontaminiert werden. Fügen Sie der Rücklieferung die entsprechenden Sicherheitsdatenblätter bei.

<b>RÜCKSENDUNG</b>
--------------------

UPS <input type="checkbox"/>	Paketpost <input type="checkbox"/>	Andere** <input type="checkbox"/>
------------------------------	------------------------------------	-----------------------------------

\*\*Bitte nennen Sie uns Ihren Spediteur, Anschrift, Sachbearbeiter/in sowie dessen/deren Telefonnummer

<b>VERPACKUNGSHINWEISE</b>
----------------------------

- ✓ Bitte entfernen Sie sämtliches Zubehör. (Z.B. Dispergierwerkzeuge, Rührpaddel, etc.)
- ✓ Reinigen Sie das Gerät und Zubehör von Probematerial-Rückständen
- ✓ Legen Sie dem Gerät die entsprechenden Sicherheitsdatenblätter für eventuell benutzte gefährliche Stoffe bei.
- ✓ Verpacken Sie das Gerät in die Originalverpackung. Sollte diese nicht mehr vorhanden sein, achten Sie darauf, dass das Gerät sowie Zubehör ausreichend geschützt verpackt wird.
- ✓ Plattenstativ und Halteklammer bitte nicht einschicken. Diese senden Sie nur zurück, wenn sie beschädigt sind. Um Transportschäden zu vermeiden, achten Sie bitte darauf, dass Gerät und Zubehör individuell verpackt werden.
- ✓ Verpacken Sie das Gerät mit dem Zubehör in einen ausreichend starken Versandkarton. Kennzeichnen Sie dessen Außenseite mit  
 Beispiel: "Vorsicht" oder "Vorsicht-zerbrechlich" und schicken Sie die Waren an:  
**Ingenieurbüro CAT, M. Zipperer GmbH, Service Department, Etzenbach 16, D-79219 Staufen**



**Konformitätserklärung**  
**Declaration of conformity**  
**Déclaration de conformité**

**Wir erklären in alleiniger Verantwortung, dass dieses Produkt (siehe Tabelle) den Bestimmungen der Richtlinien entspricht und mit den folgenden Normen oder normativen Dokumenten übereinstimmt:**

**2006/95/EG**

DIN EN 61010-1; VDE 0411-1:2002-08;Berichtigung 1; VDE 0411-1 Berichtigung 1:2002-11; Berichtigung 2; VDE 0411-1 Berichtigung 2:2004-01  
DIN EN 61010-2-051; VDE 0411-2-051:2004-07

**2004/108/EG**

DIN EN 61326-1; VDE 0843-20-1:2006-10  
DIN EN 61000-6-2; VDE 0839-6-2:2006-03  
DIN EN 61000-6-4; VDE 0839-6-4:2007-09  
DIN EN 61000-4-2; VDE 0847-4-2:2009-12  
DIN EN 61000-4-3; VDE 0847-4-3:2008-06  
DIN EN 61000-4-4; VDE 0847-4-4:2005-07  
DIN EN 61000-4-5; VDE 0847-4-5:2007-06  
DIN EN 61000-4-6; VDE 0847-4-6:2009-12  
DIN EN 55011; VDE 0875-11:2010-05  
DIN EN 55014-1; VDE 0875-14-1:2010-02  
DIN EN 55014-2; VDE 0875-14-2:2009-06

**2006/42/EG**

DIN EN ISO 12100-1:2004-04  
DIN EN ISO 12100-2:2004-04

**Bei einer nicht mit uns abgestimmten Änderung des Gerätes verliert diese Erklärung ihre Gültigkeit und die Gewährleistung erlischt.**

**Ingenieurbüro CAT**  
**M. Zipperer GmbH**

**Manfred Zipperer**  
**Geschäftsführer**

Type
X1000, X1000D, 230V +/- 10%, 50/60Hz,1050W
X1000, X1000D, 115V +/- 10%, 50/60Hz,1050W

**79219 Staufen, den 19. April 2011**